



EVENT FENCE

Event Fence portable barrier is a system of interlocking freestanding fence panels. Simply link Event Fence panels together to create continuous barricading for festivals, parades, sporting events or work sites. Optional forklift stillage makes storage and transporting of Event fence panels simple and efficient.

Features:

- Fully welded steel construction, galvanised finish.
- Panels nest together when not in use to reduce storage space.
- Vertical bars eliminate climbing points.
- Panels are able to pivot at joins.
- Low profile, removable feet reduces tripping hazards.

Material: Steel construction, fully welded.

Finish: Hot dipped galvanised.

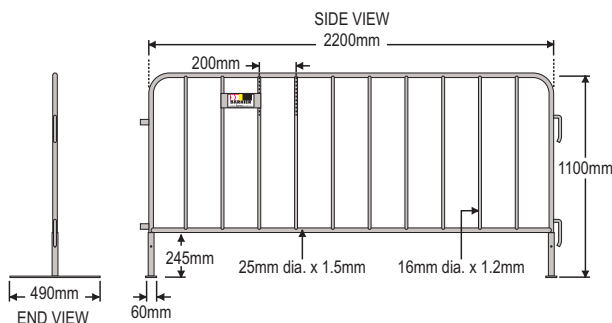
Height: 1100mm.

Length: 2200mm.

Width: 490mm.

Weight: 16kgs.

Installation: Freestanding panels, link together. No tools required.



PART No.	DESCRIPTION
EF25/200	Event fence – standard duty
EFS	Event fence stackable forklift stillage – holds 30



EVENT FENCE STILLAGES

Features:

- Robust construction with galvanised finish.
- Designed for use with forklifts.
- Stackable to 4 units high.
- Each unit holds up to 30 Event Fence panels or 20 Q-Fence panels.
- Panels can be hand loaded by one person.

PART No.	DESCRIPTION
EFS	Event fence stackable forklift stillage – holds 30



BARRIER MESH

Features:

- Ideal for construction sites and sporting events.
- Manufactured from high strength polypropylene.
- U.V. stabilised and reusable.
- Star pickets and caps available.
- Bagged for protection and easy storage.
- Available in standard 1 x 50 metre long rolls.

PART No.	DESCRIPTION
BM8X	Barrier mesh 1 x 50 metres – Hi-Vis Orange
SP1350B	Star picket 1350mm – Black
SP1650B	Star picket 1650mm – Black
SPCAP	Star picket cap