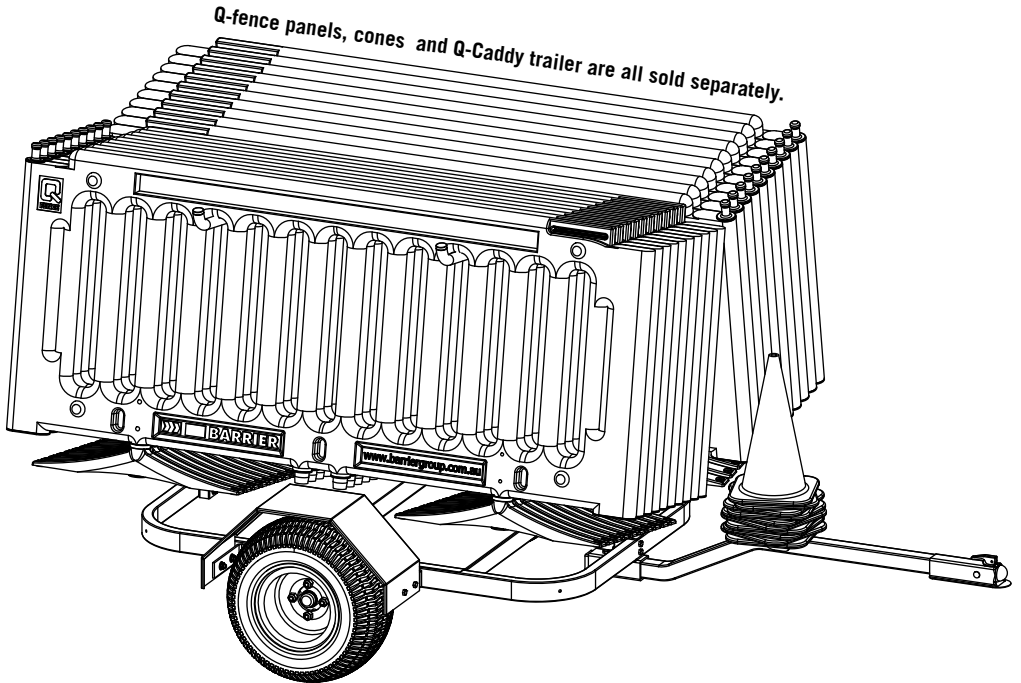




# Q-CADDY TRAILER

## Assembly Instructions



Note: Q-Caddy is designed for use on private land only and should never be towed on public roads or highways.

Models: QCAD-T

Dear Customer,

Schools, universities, sporting organisations. In fact anyone responsible for managing the movement of people or vehicles on private property will appreciate the convenience and versatility of Q-Caddy.

Q-Caddy is a rapid deployment crowd barrier system comprising 20 of our Crowd-Q portable interlocking fence panels on a purpose designed lightweight trailer. The trailer is fully galvanised, has wide turf tyres to protect sensitive sporting fields, and a quick hitch coupling for typical grounds keepers vehicles such as utility carts and ride-on mowers. There is even a built-in cone carrier attachment that holds up to ten 70mm traffic cones.

The Q-Caddy has been inspired by a need by many institutions and private bodies to provide short term traffic management such as at sports days, festivals, open days and numerous other events.

## Value Features:

- Time saving convenience and versatility.
- Easily towed by typical grounds keepers vehicles.
- Quick hitch with low drawbar weight (approx. 20kgs).
- Carries 20 lightweight Crowd-Q panels (14kgs each).
- Built-in cone carrier for up to 10 traffic cones.
- Fitted with a standard 50mm trailer coupling.
- Wide turf tyres to protect playing surfaces
- Hot dip galvanised steel construction.

**Note:** Q-Caddy ships flat packed and requires simple assembly using only basic hand tools (all fixings supplied).



## WARNING

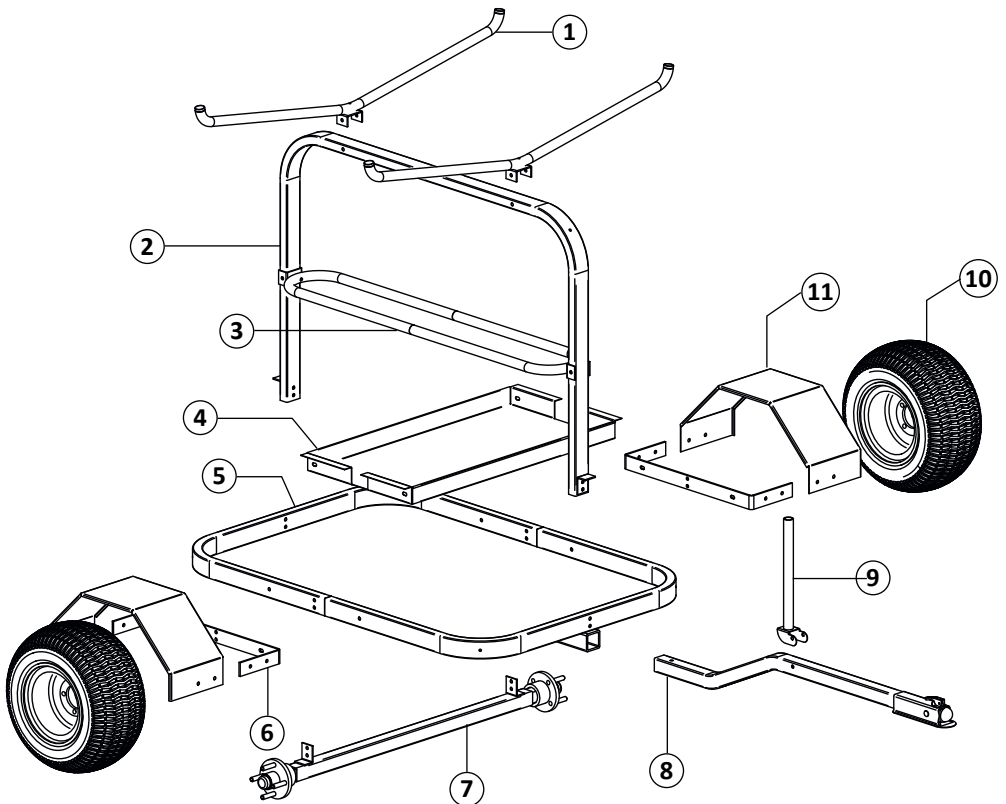
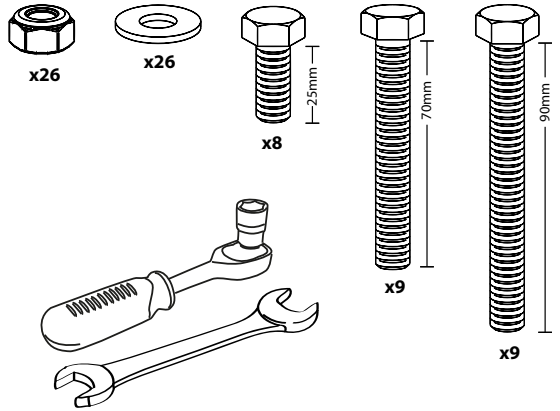
### TOWING HAZARD:

- The Q-Caddy mobile barrier system is designed and intended for towing on private land only and should never be towed on public roads or highways.
- The Q-Caddy mobile barrier should not be towed at speeds exceeding 25km per hour.
- Drive safely. Be aware of the added length of the Q-Caddy trailer.
- Never ride or transport cargo on the Q-Caddy trailer.

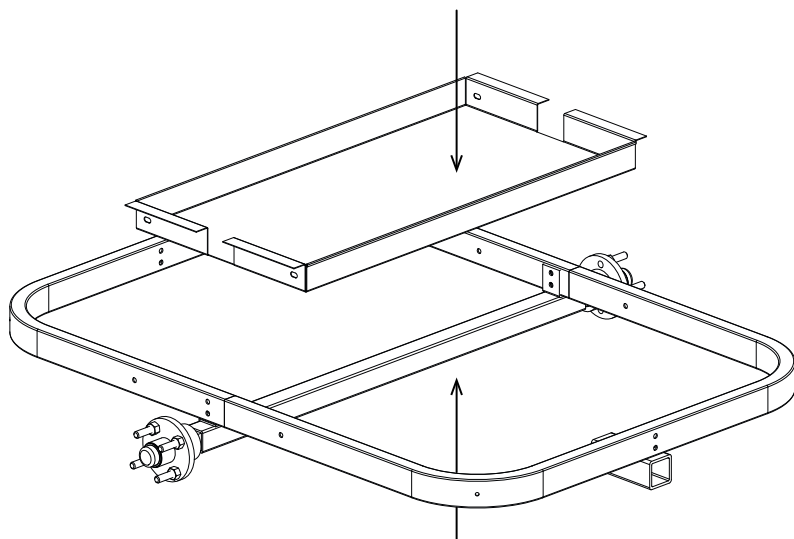
# what's included \_\_\_\_\_

## COMPONENTS LIST:

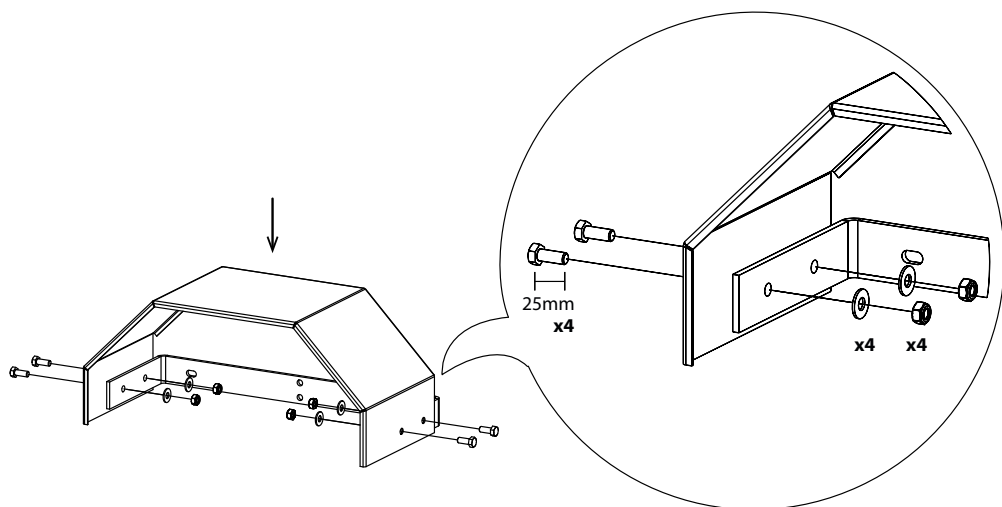
NO.	DESCRIPTION	QTY.
1	Hanger bar	2
2	Main frame	1
3	Panel support rail	1
4	Accessory tray	1
5	Trailer chassis	1
6	Mudguard connector	2
7	Axle	1
8	Drawbar with coupling attached	1
9	Cone holder	1
10	20 x 10.00-8 Wheel	2
11	Mudguard	2



# tray and axle assembly \_\_\_\_\_

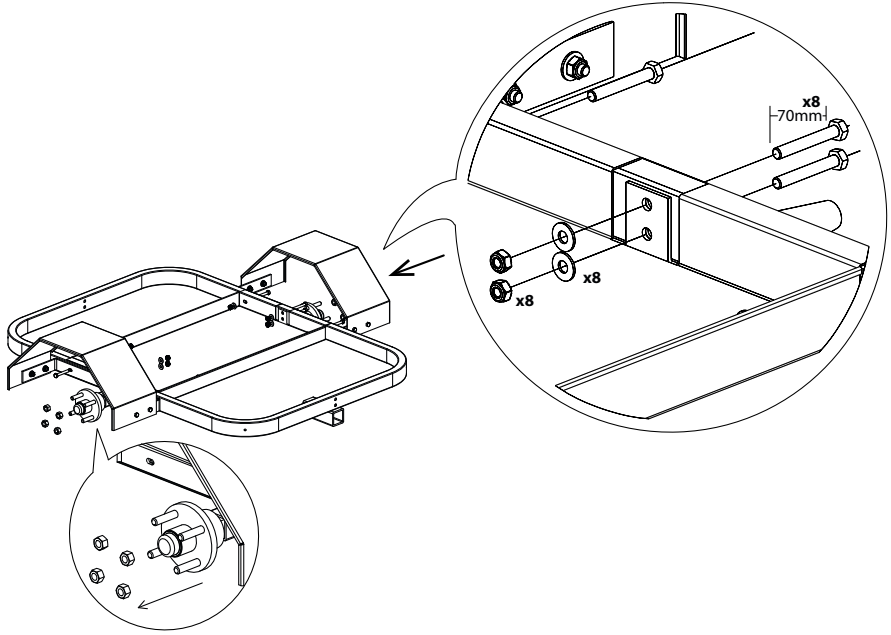


# mudguard assembly \_\_\_\_\_



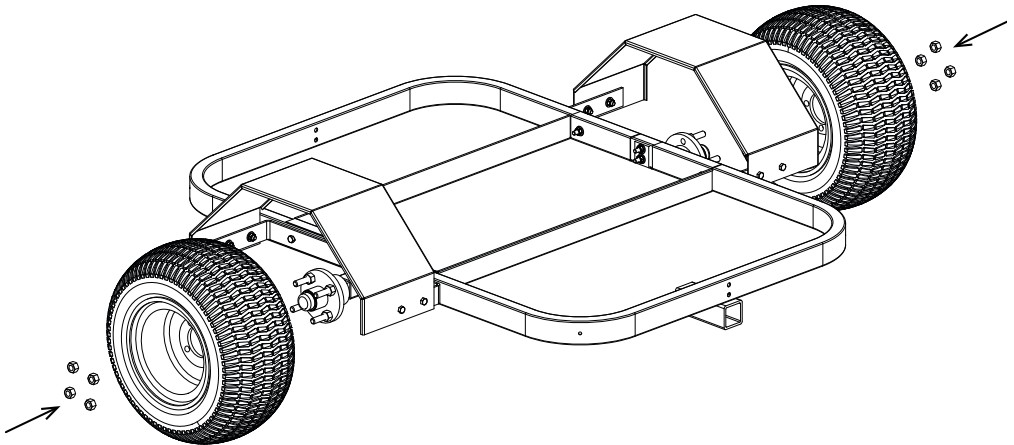
# mudguard to chassis

---

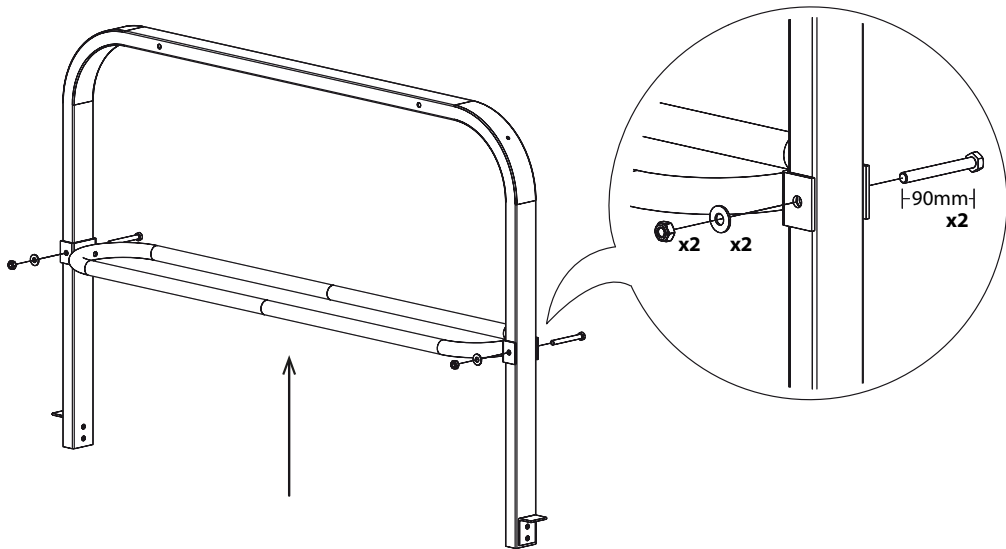


# wheel assembly

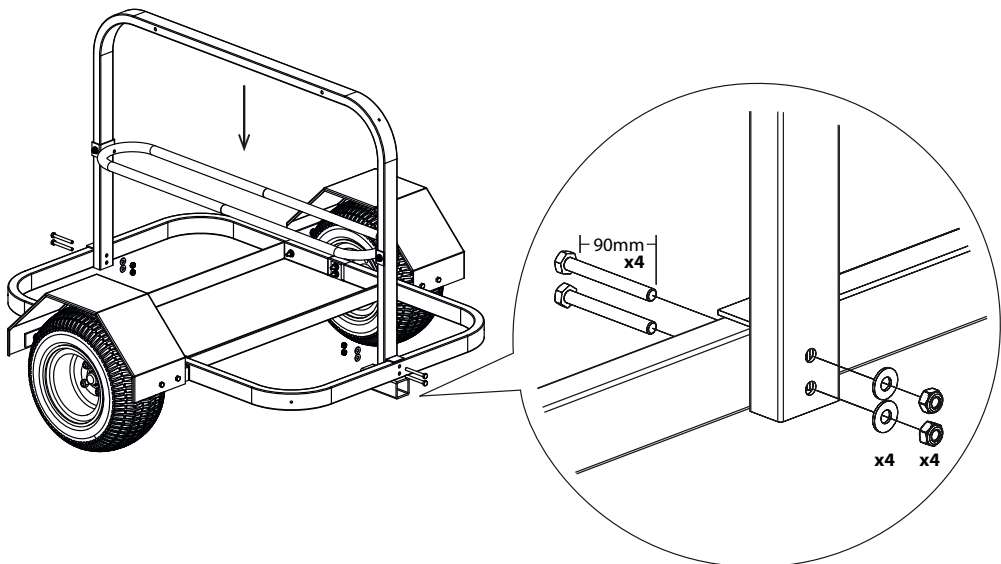
---



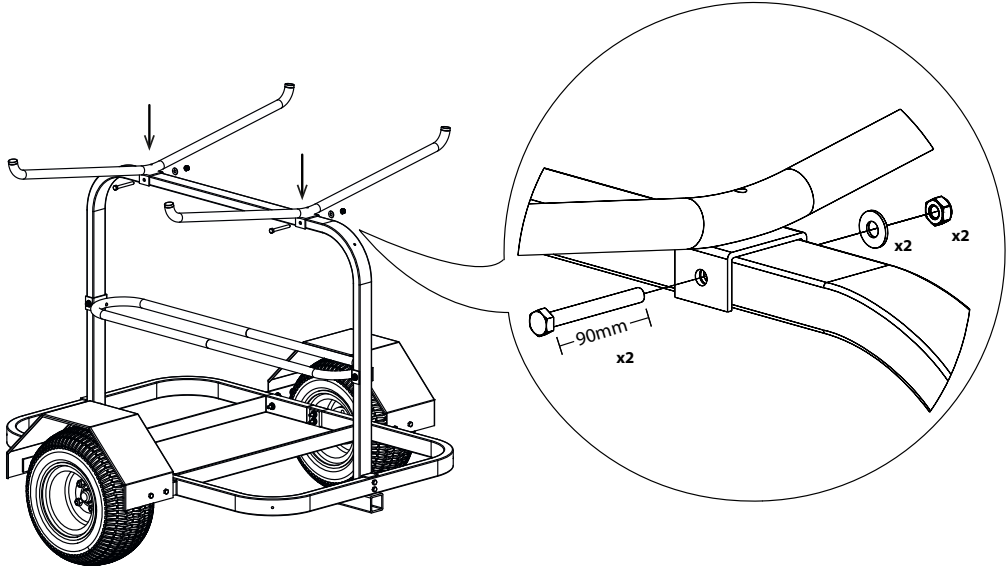
frame assembly \_\_\_\_\_



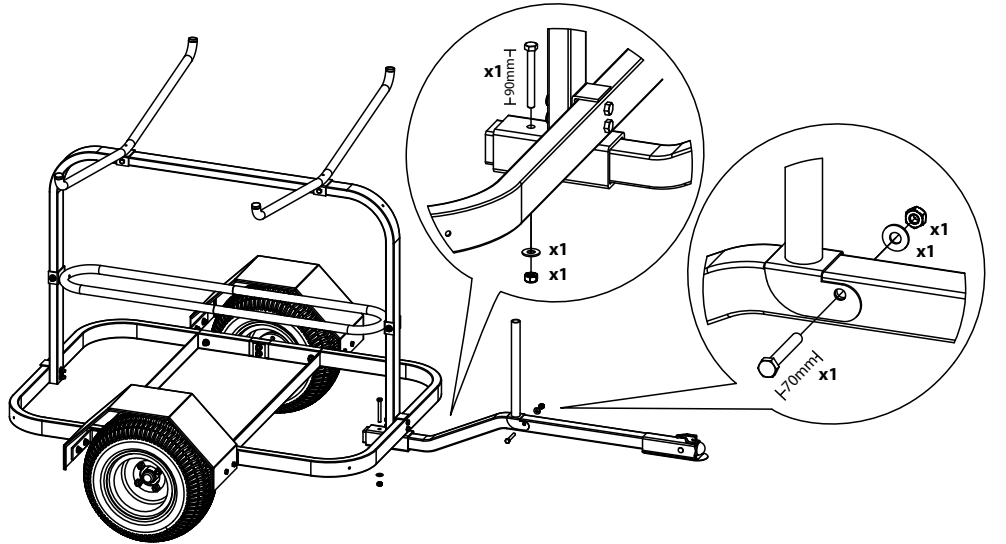
stand to chassis \_\_\_\_\_



hanger assembly \_\_\_\_\_

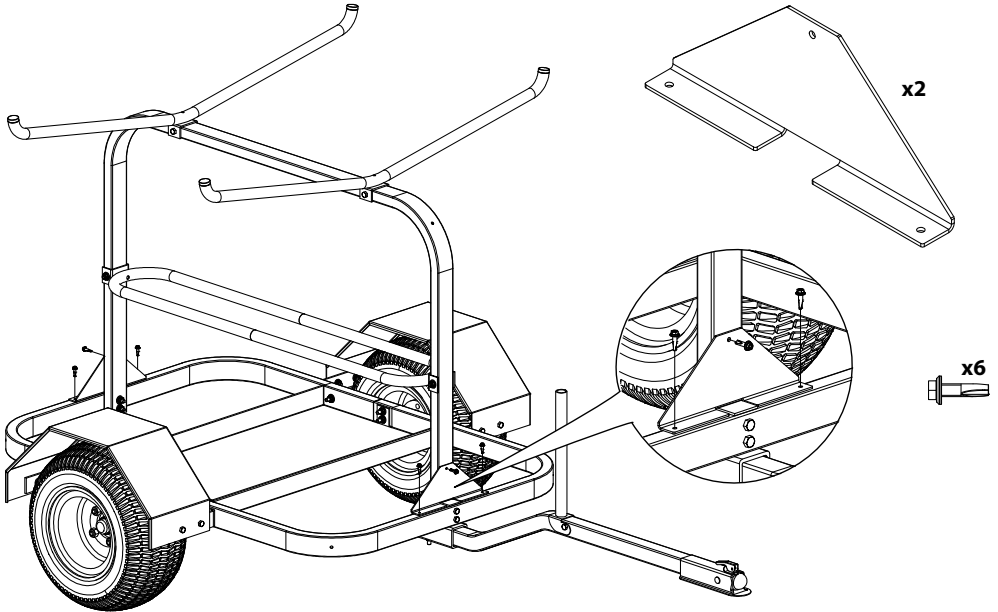


drawbar and cone holder assembly \_\_\_\_\_



# re-inforcing brackets \_\_\_\_\_

1. Position the re-inforcing brackets (2 places) as shown and pilot drill 6 holes to 3mm.
2. Using a power screwdriver insert and tighten fixing screws supplied.



[www.barriergroup.com.au](http://www.barriergroup.com.au)