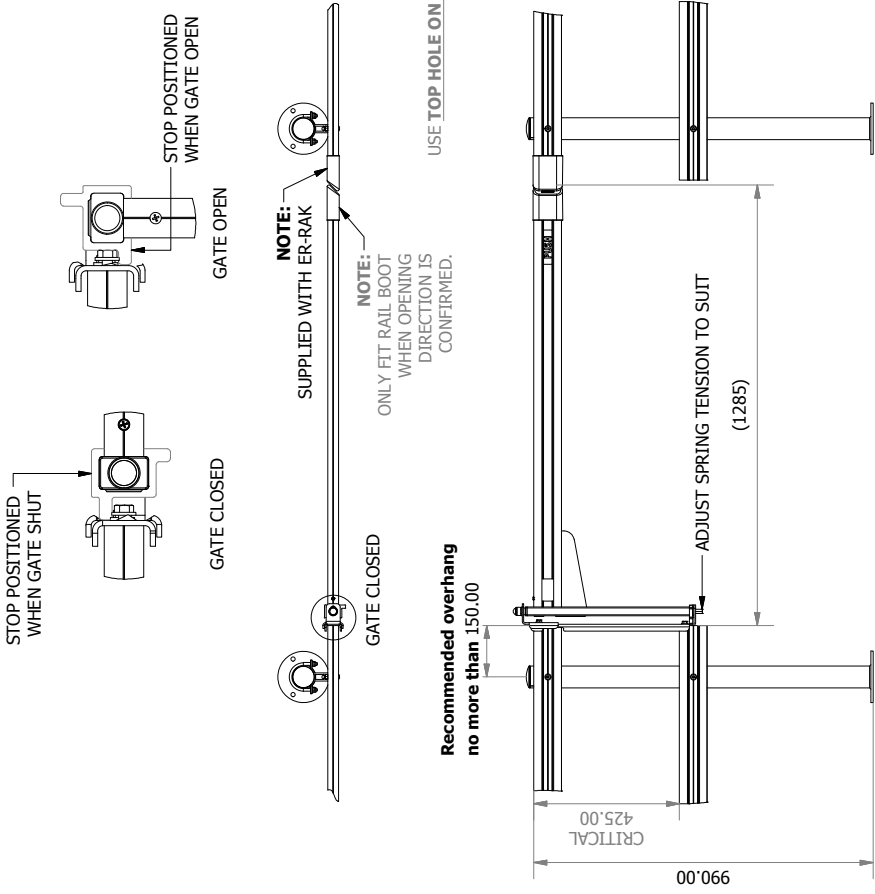


RAIL MOUNT & POST MOUNT

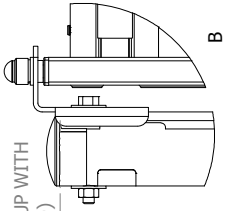
ER RAIL GATE Rail Mounting Installation Procedure



ER RAIL GATE Post Mounting Installation Procedure

REFERENCE:

LINE TOP OF BRACKET UP WITH TOP OF PIPE (BOLLARD)

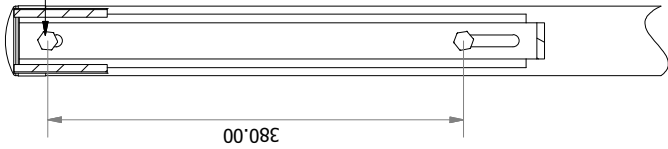


NOTE:

ONLY FIT RAIL BOOT WHEN OPENING DIRECTION IS CONFIRMED.

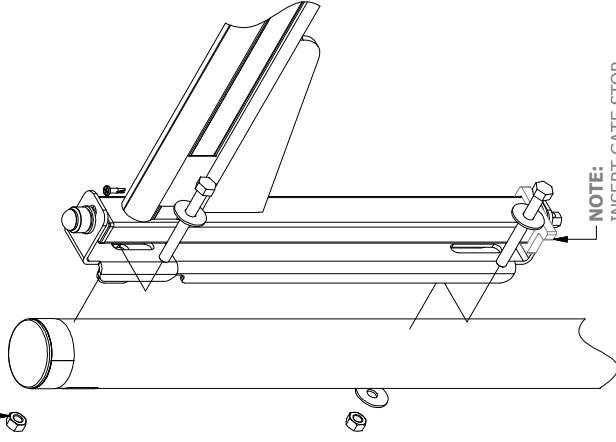
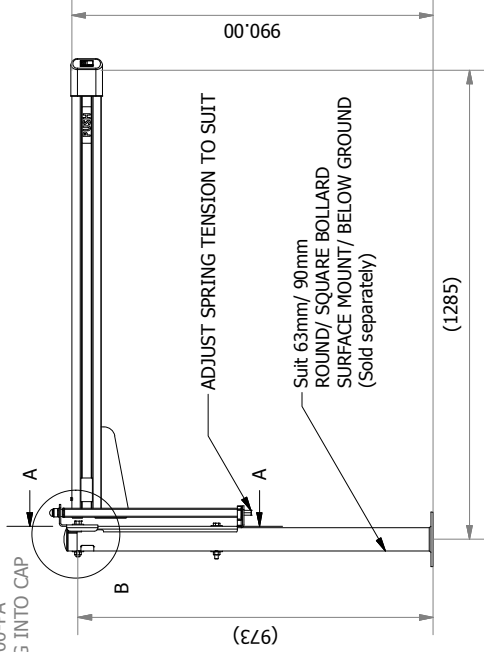


KIT23 for 63mm post
KIT24 for 90mm post
(SOLD SEPARATELY)



REFERENCE:

USE TOP HOLE ON BRACKET FOR ER1200-PA TO AVOID DRILLING INTO CAP



NOTE:

INSERT GATE STOP ONTO GATE ARM. NO FIXING REQUIRED. ONLY FIT GATE STOP WHEN OPENING DIRECTION IS CONFIRMED.



BARRIERGROUP

www.barriergroup.com.au

IP31 – ER Rail Gate © Copyright 2015