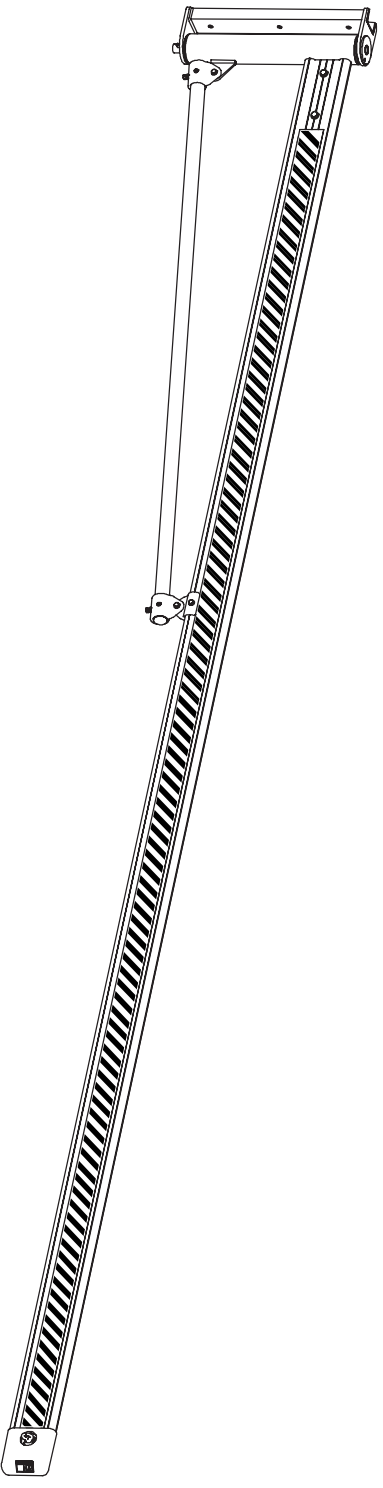




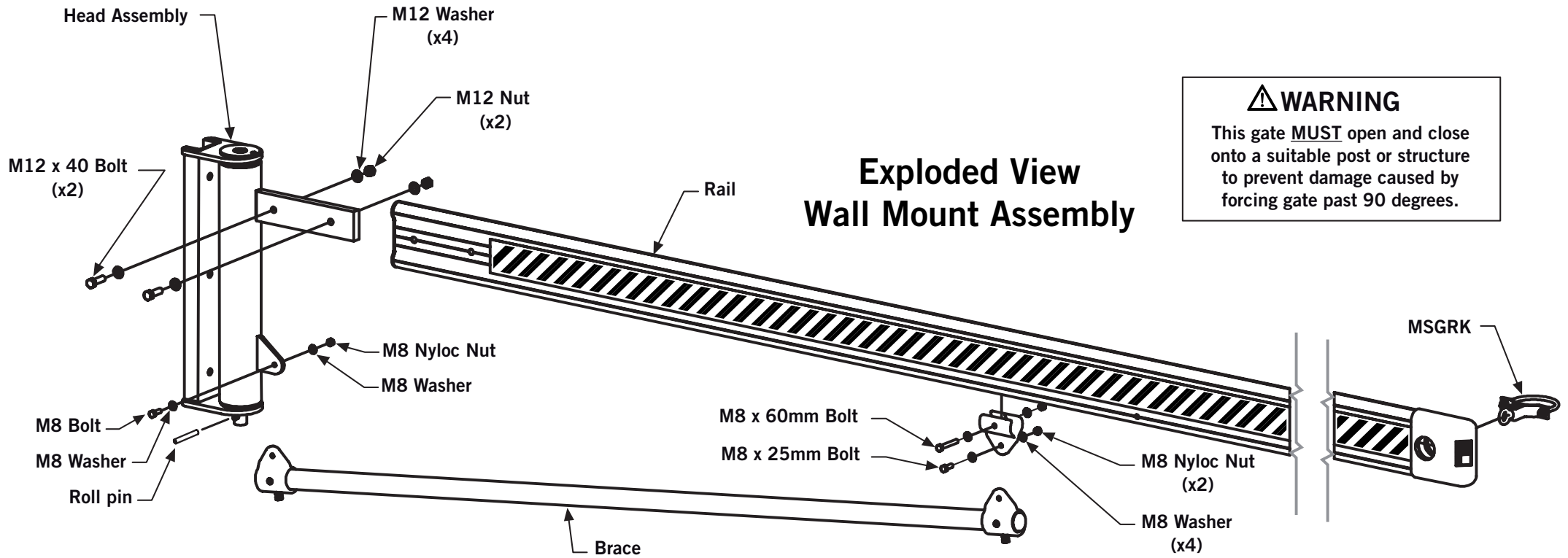
BARRIERGROUP



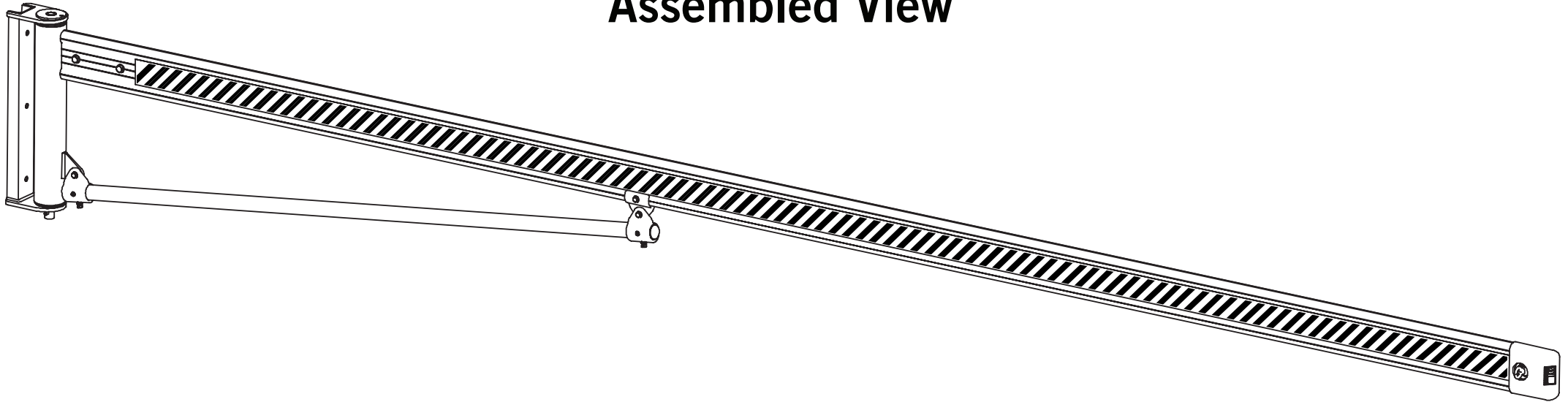
SELF-CLOSING SWING GATE

Installation Procedure

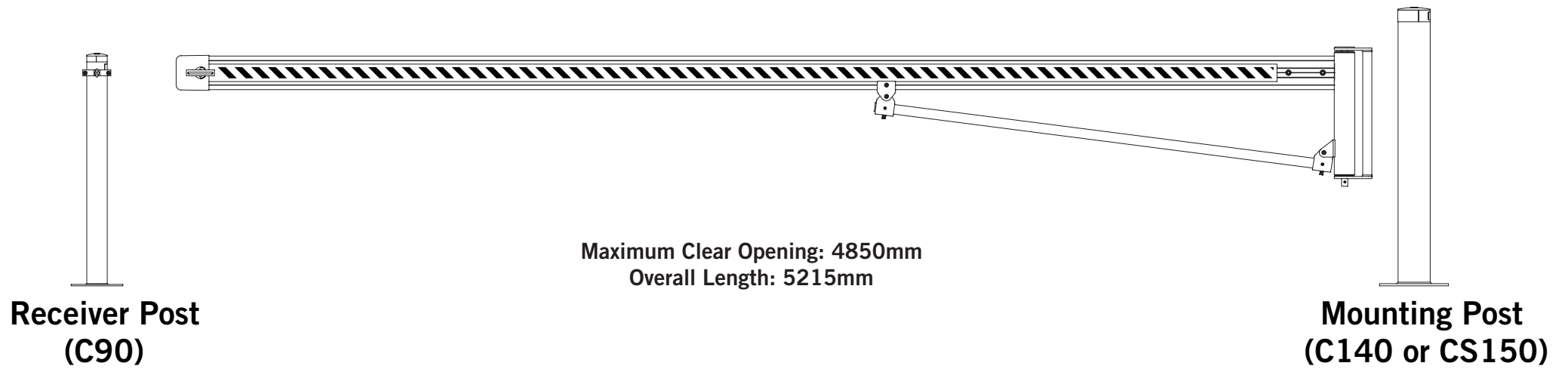
1 STEP ONE



Assembled View



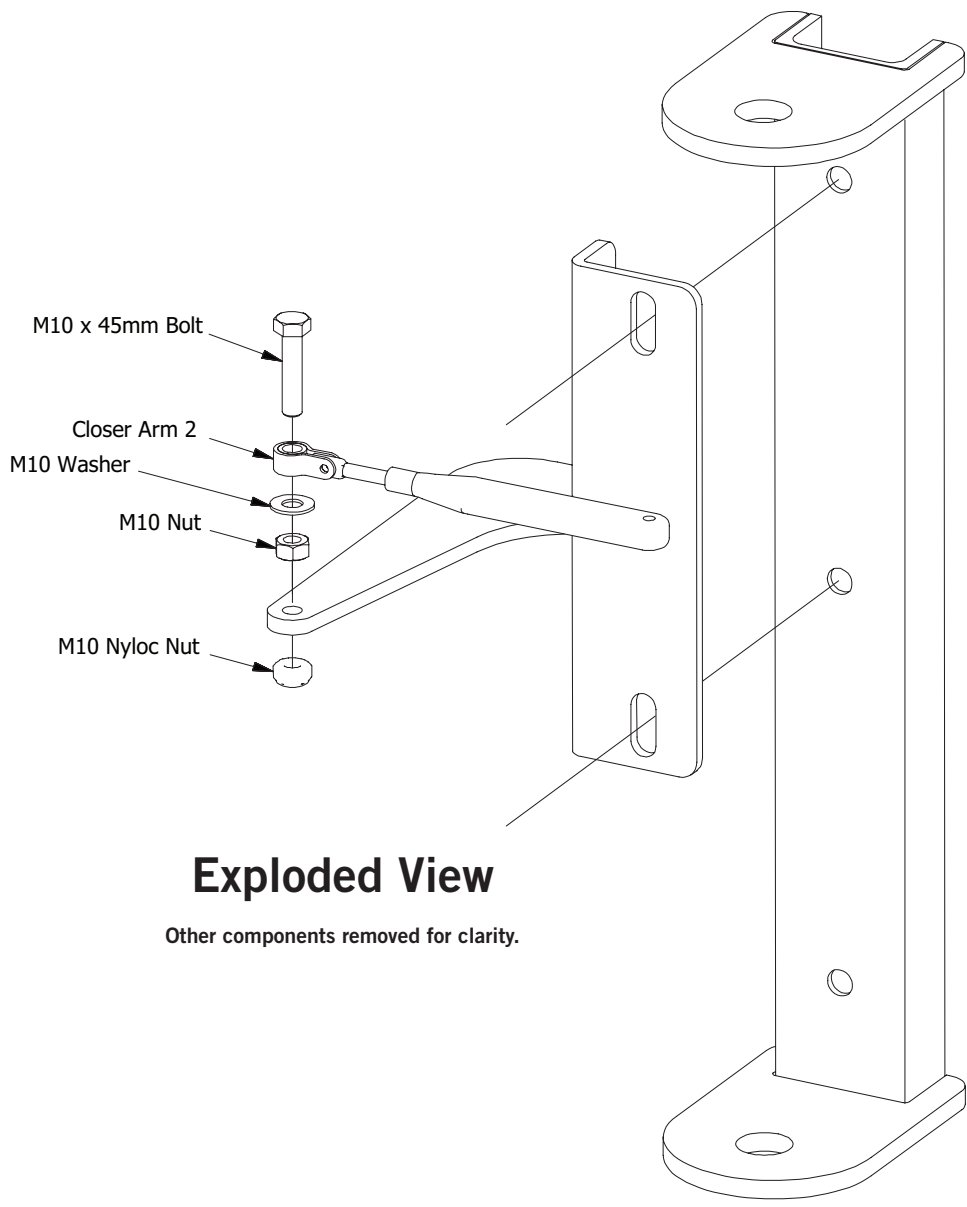
Optional Mounting Post & Receiver Post



Receiver Post
(C90)

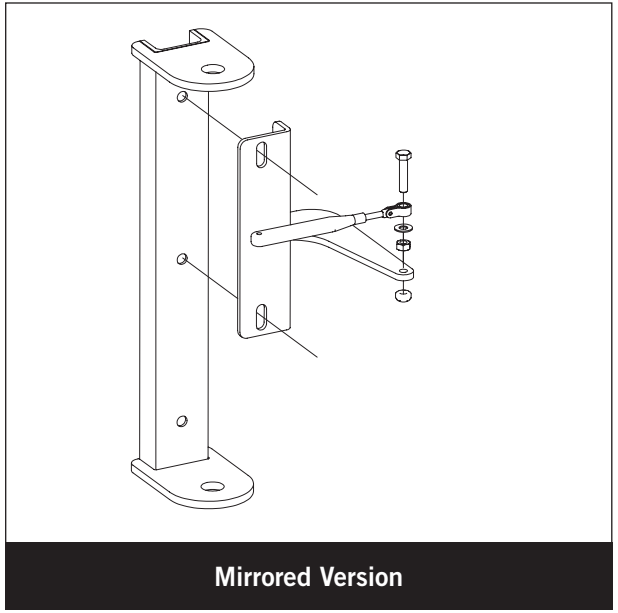
Mounting Post
(C140 or CS150)

2 STEP TWO



Exploded View

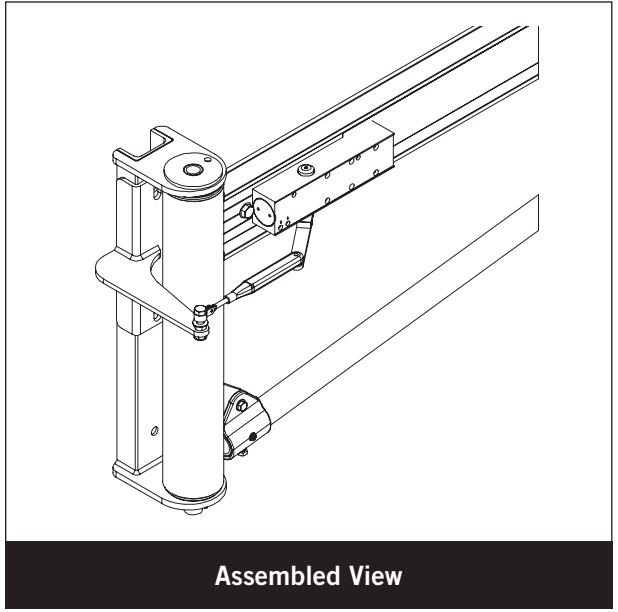
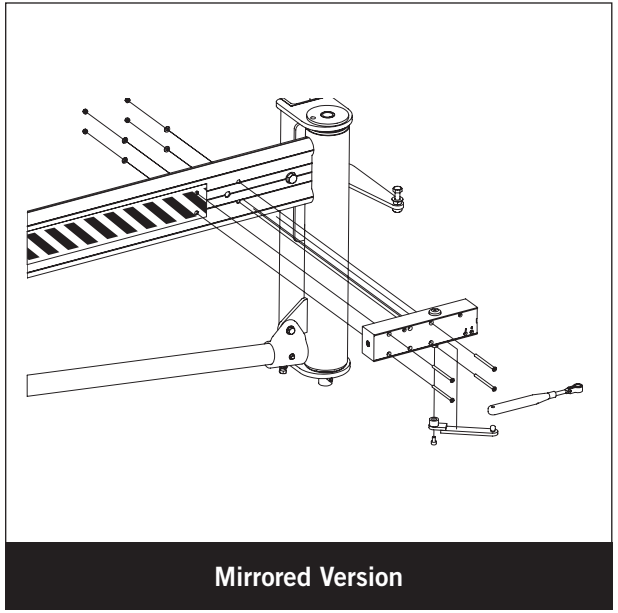
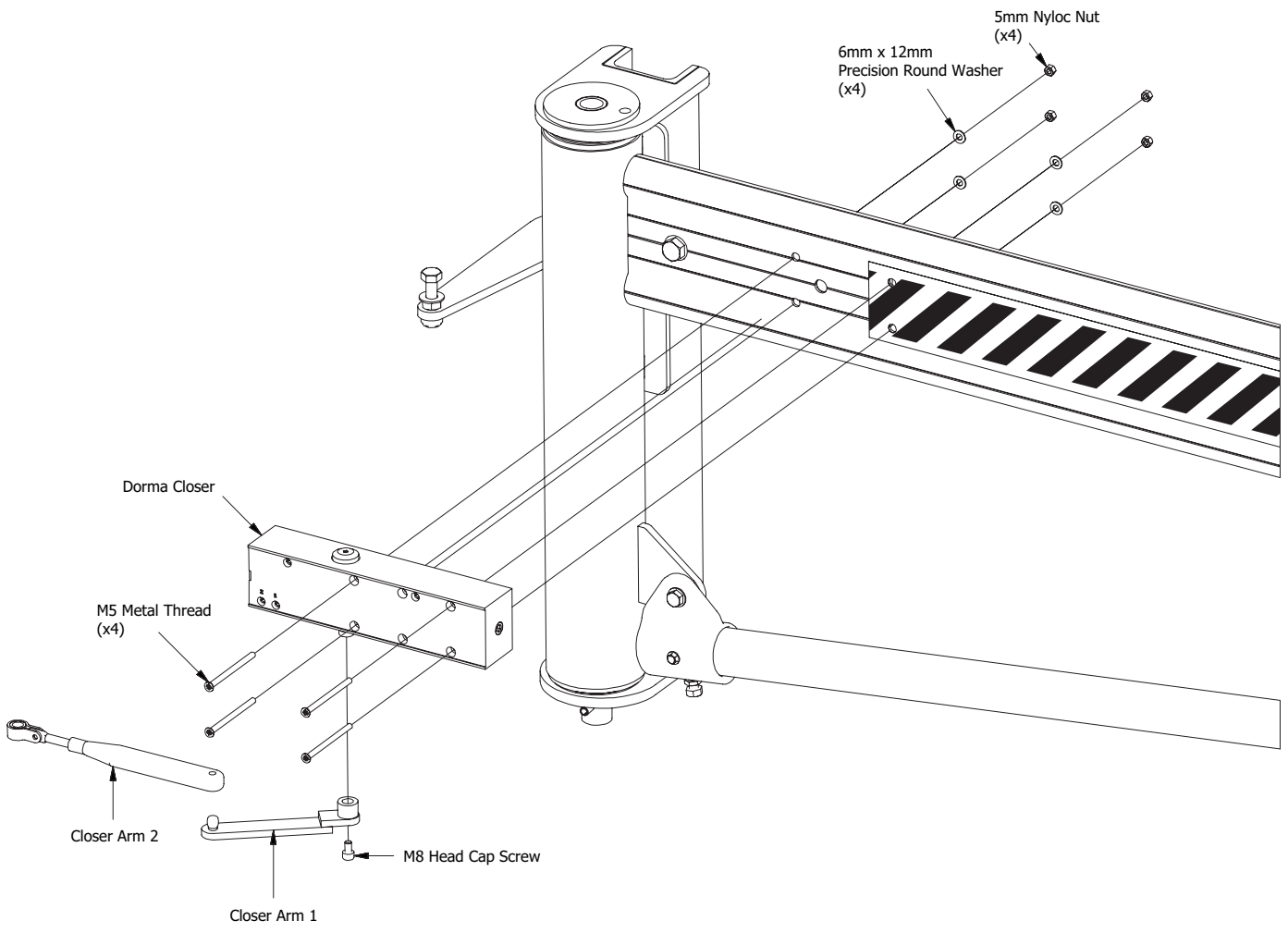
Other components removed for clarity.



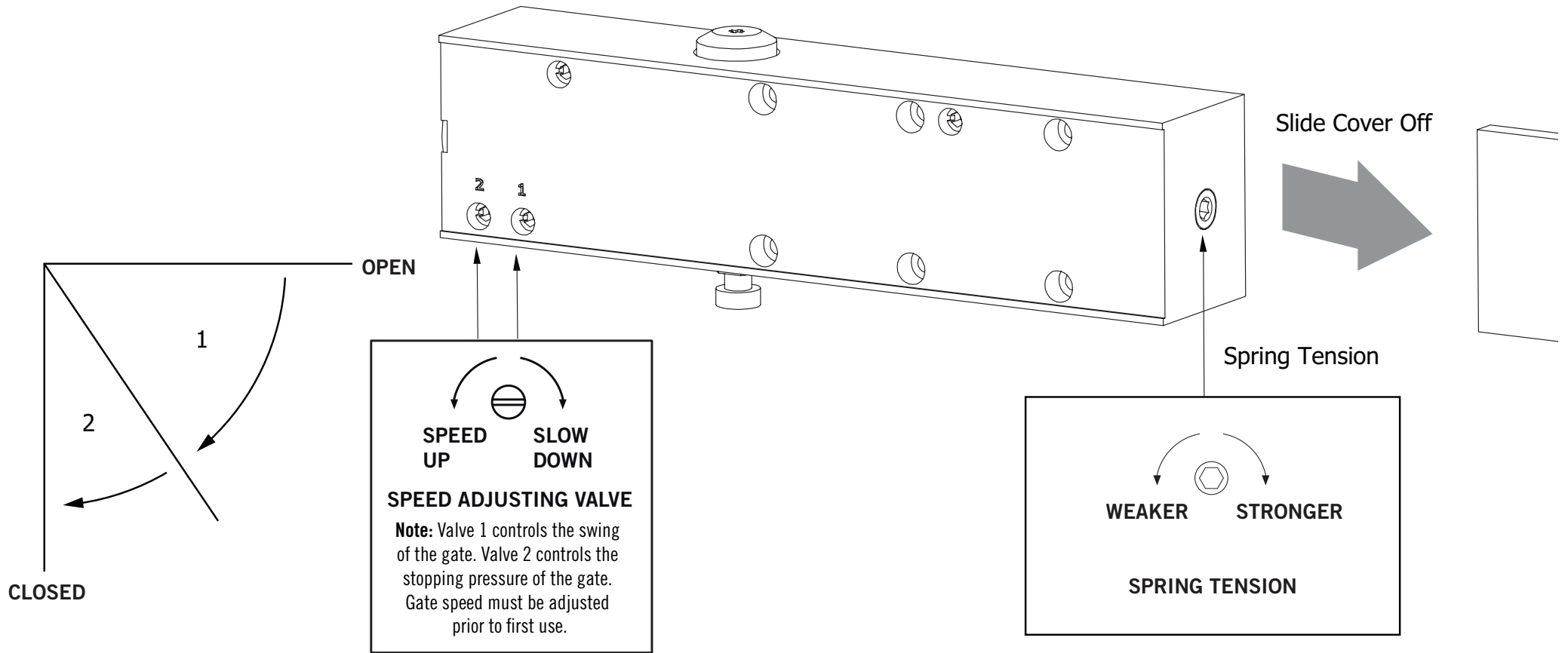
Mirrored Version

Gates can be set up to open left or right.

3 STEP THREE



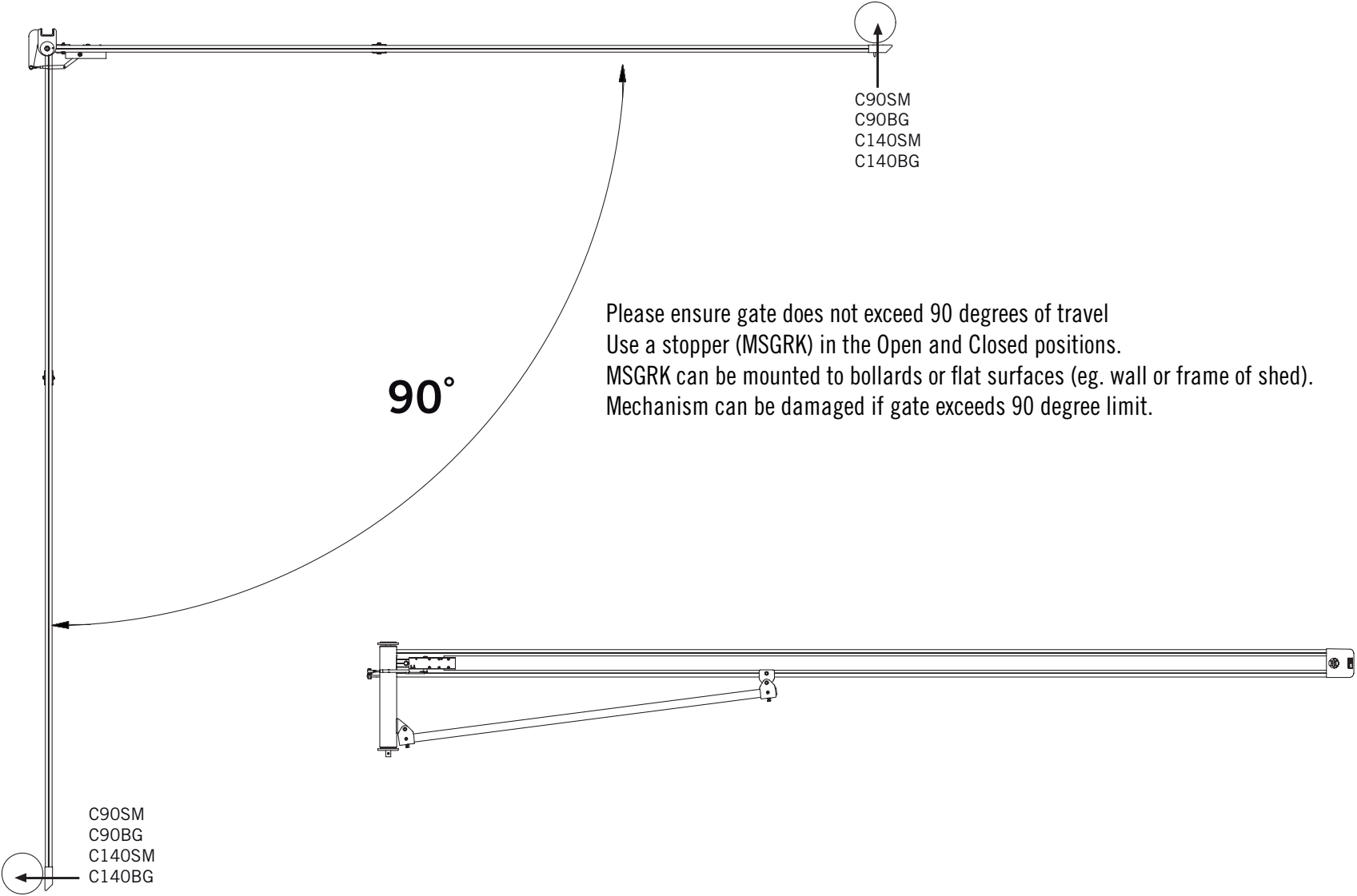
4 ADJUSTMENT



5 PLEASE NOTE:

Stopper
(Closed)

C90SM
C90BG
C140SM
C140BG



90°

Please ensure gate does not exceed 90 degrees of travel
Use a stopper (MSGRK) in the Open and Closed positions.
MSGRK can be mounted to bollards or flat surfaces (eg. wall or frame of shed).
Mechanism can be damaged if gate exceeds 90 degree limit.

Stopper
(Open)

C90SM
C90BG
C140SM
C140BG



**Important information.
Read carefully.
Keep this information for further reference.**

WARNING

The gate will not provide optimum performance unless it is installed correctly. For satisfactory gate operation please follow the instructions carefully.

NOTE: No guarantee will be given or responsibility accepted by the manufacturers if the gate is not installed as instructed. Barrier Group do not warrant the work of 3rd party contractors.

BEFORE YOU START

1. The installer must ensure the desired mounting point for the gate is level, plumb and rigid.
2. Use fixings appropriate to the material into which they are being fixed (not included).
3. Check all parts are included. Contact Barrier Group immediately if you are missing a piece.

AFTER INSTALLATION CARE

Barrier Group recommends that you check the operation of your gate at least every six months (more regularly in extreme environments or frequent use). It is natural for spring assistance unit to lose tension over time. Adjustment may be required. The adjustment should only be carried out as per the attached instructions. Gate should be adjusted to achieve a gentle stop, to avoid potential damage to linkages and bushes.