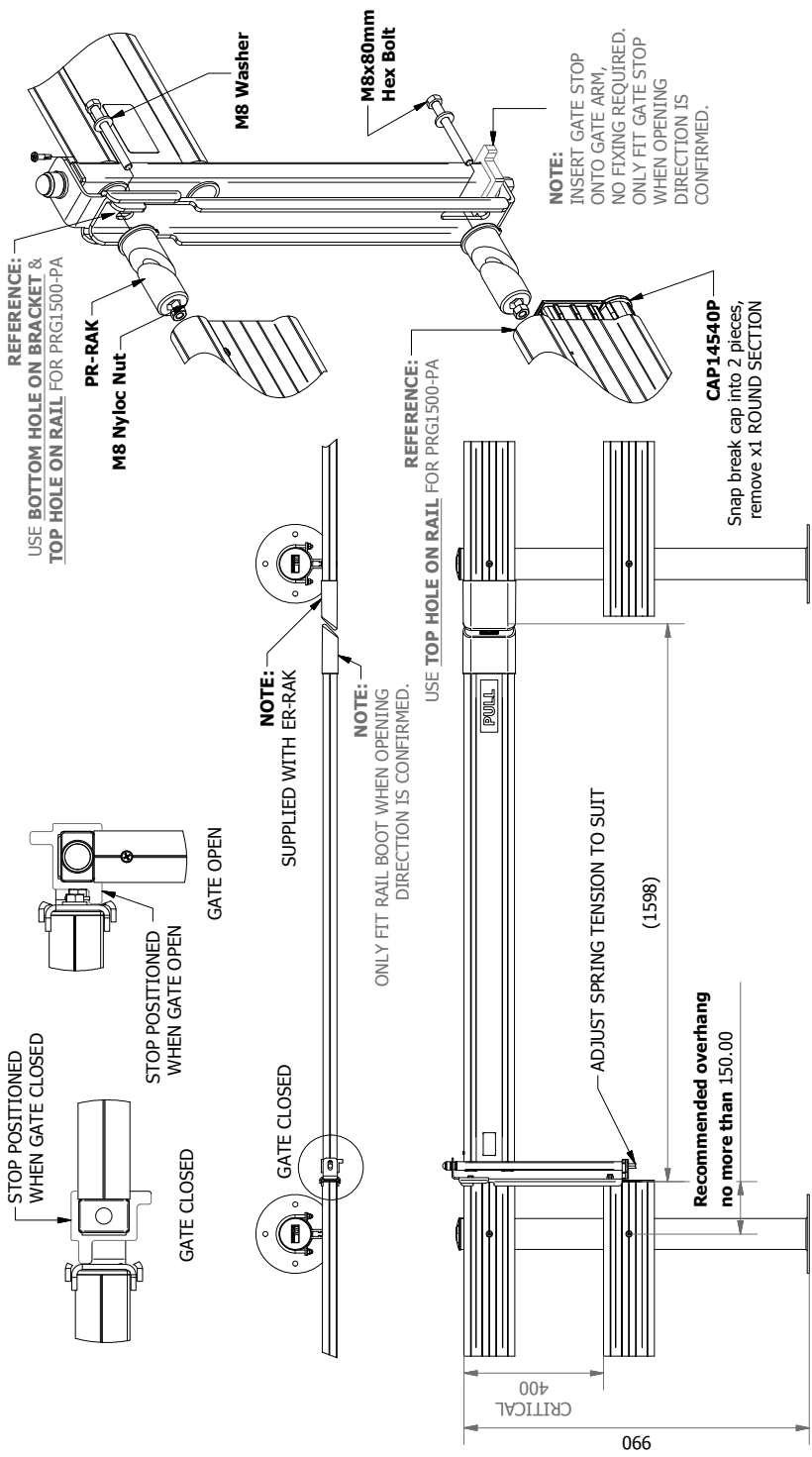


RAIL MOUNT & POST MOUNT

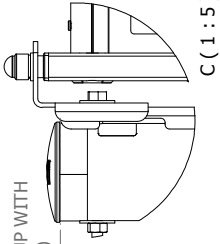
PR RAIL GATE Rail Mounting Installation Procedure



PR RAIL GATE Post Mounting Installation Procedure

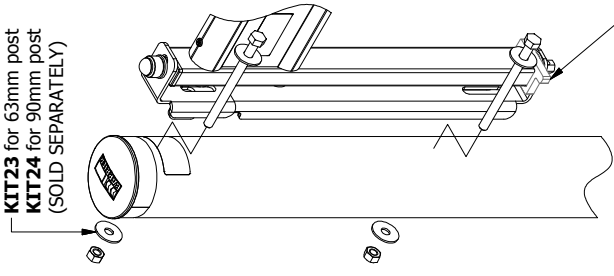
REFERENCE:

LINE TOP OF BRACKET UP WITH
TOP OF PIPE (BOLLARD)

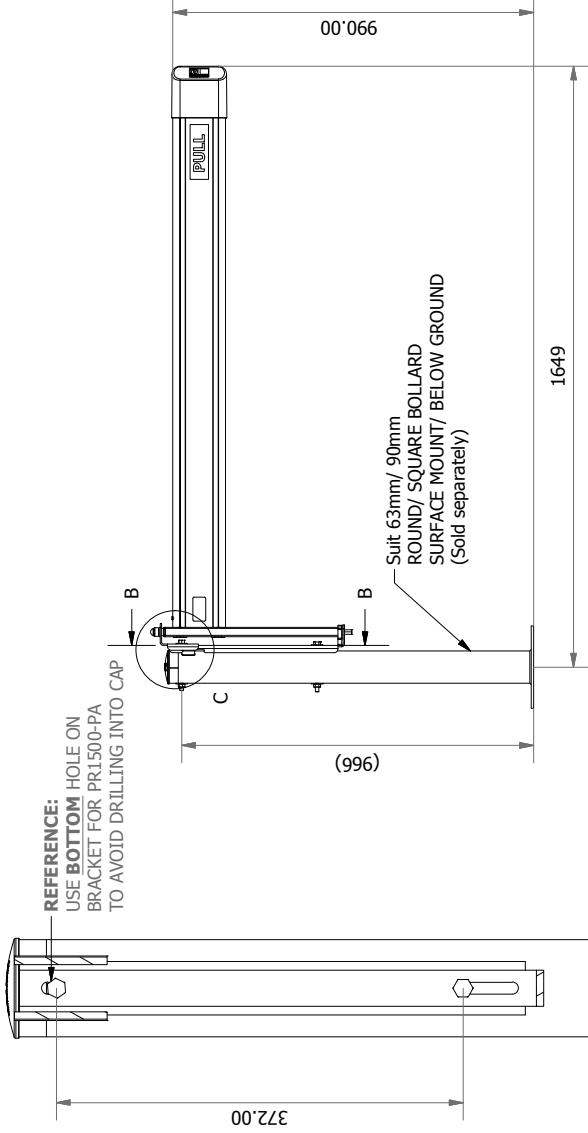


NOTE:
ONLY FIT RAIL BOOT WHEN OPENING
DIRECTION IS CONFIRMED.

TOP VIEW (1 : 15)



NOTE:
INSERT GATE STOP
ONTO GATE ARM,
NO FIXING REQUIRED.
ONLY FIT GATE STOP
WHEN OPENING DIRECTION IS
CONFIRMED



B-B (1 : 5)



BARRIERGROUP

www.barriergroup.com.au

IP32 – PR Rail Gate © Copyright 2015