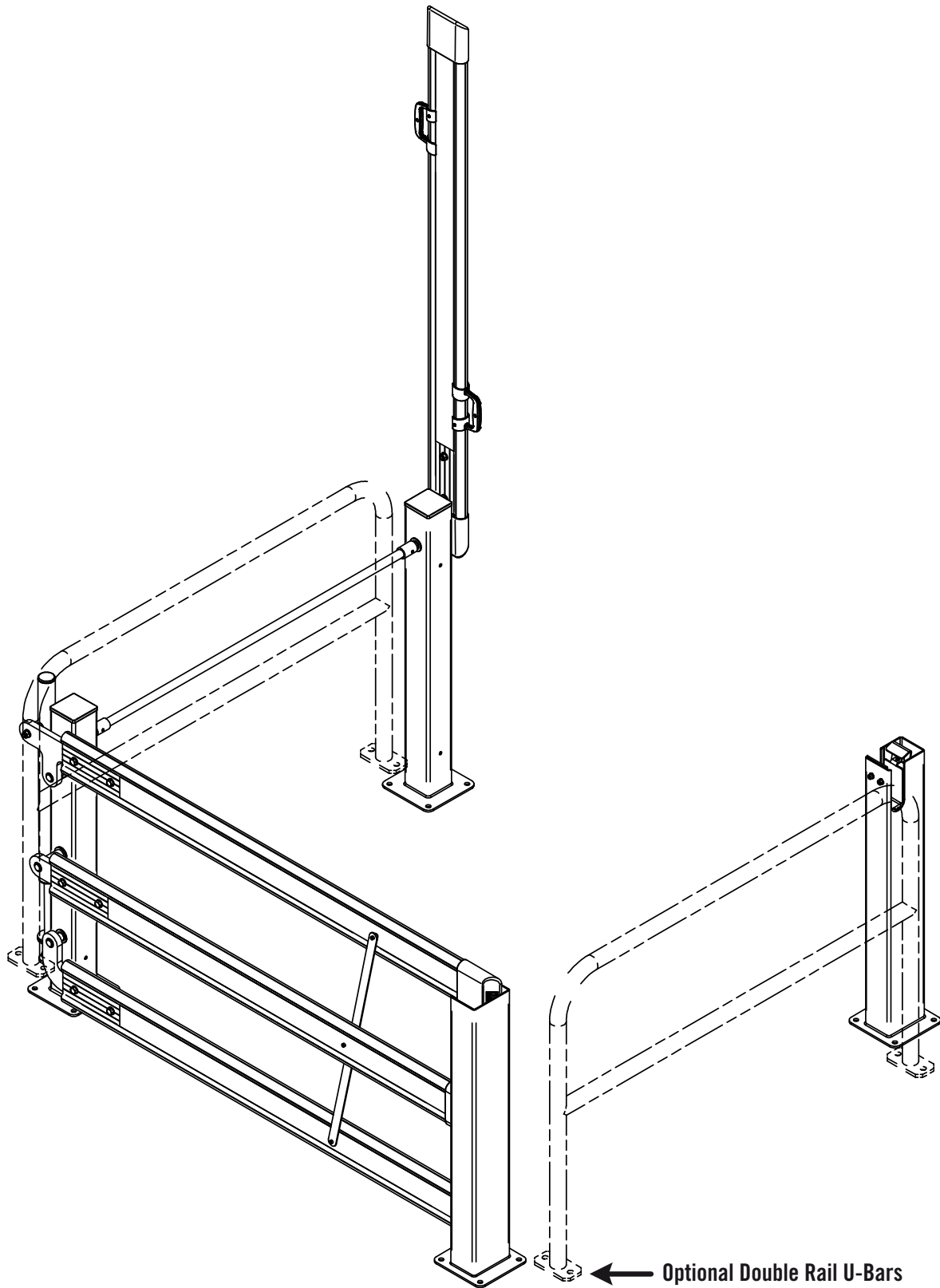


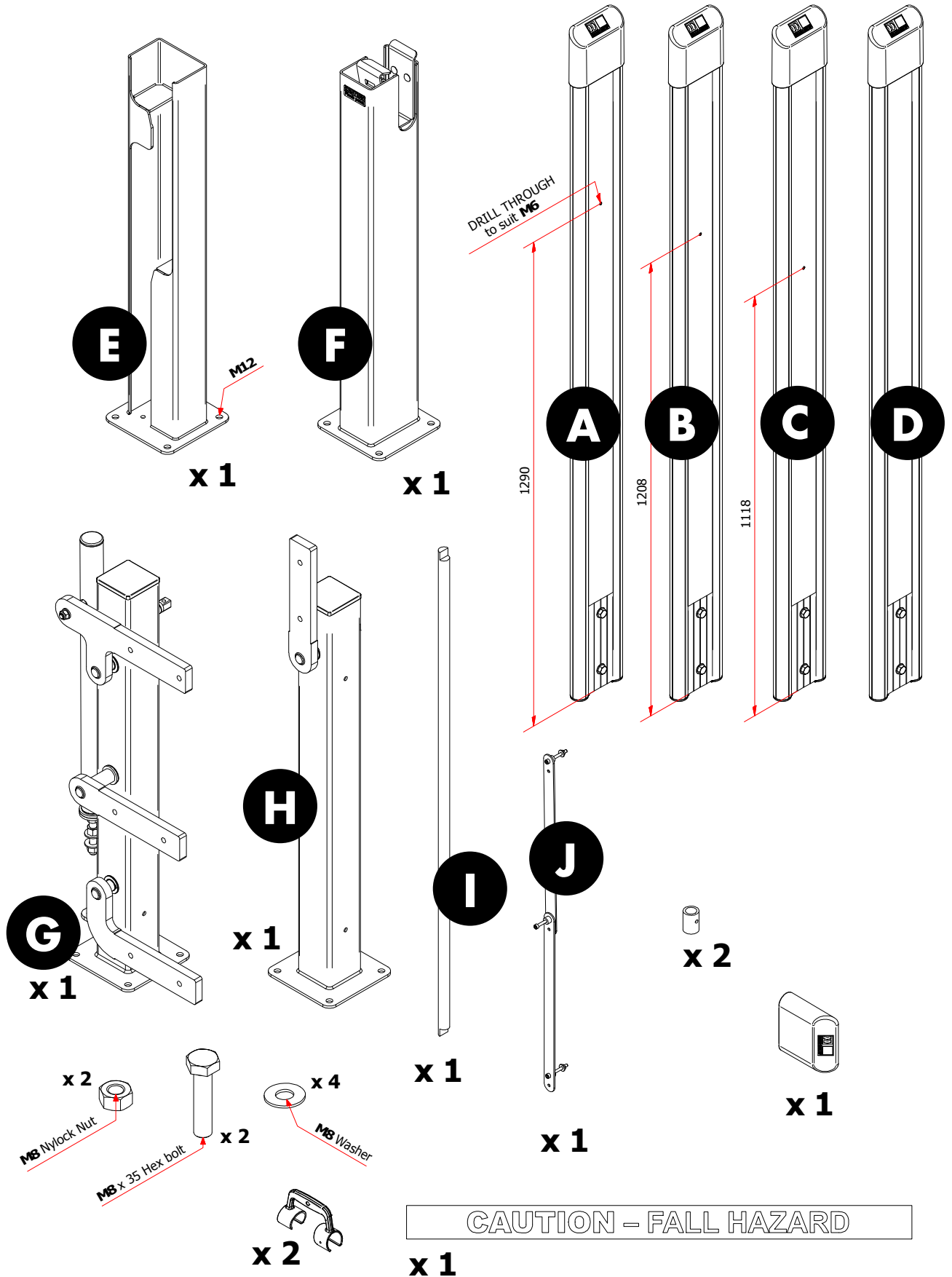


MEZZANINE GATE

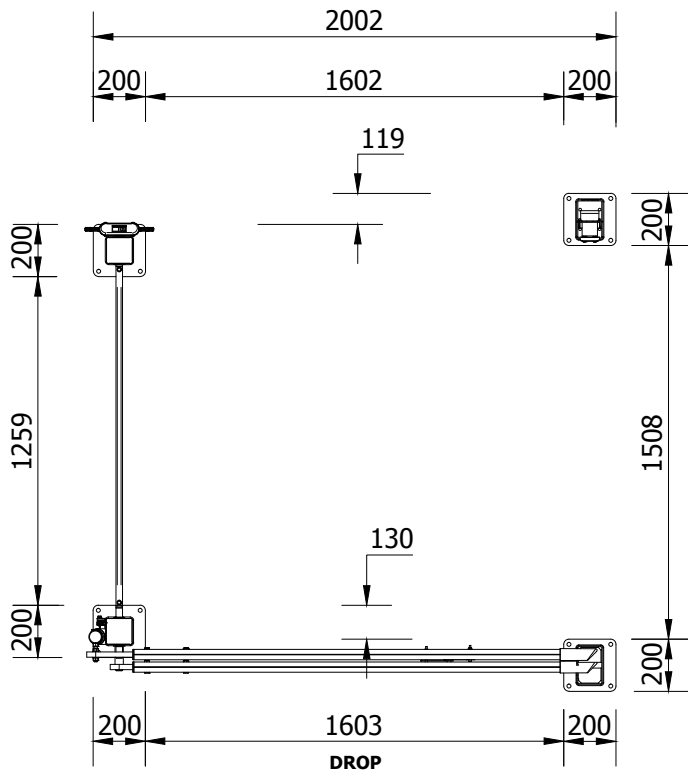
Installation Procedure



CONTENTS

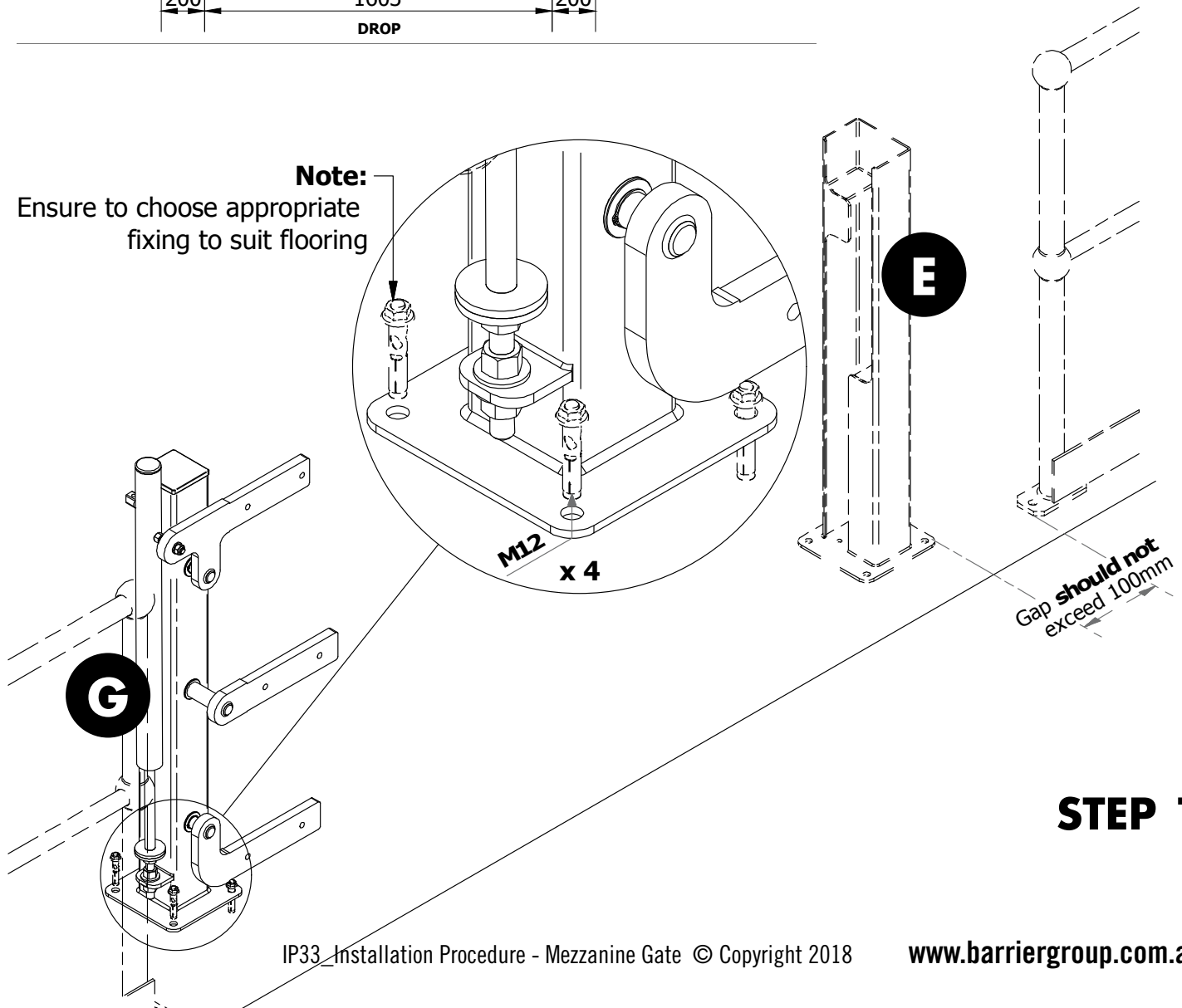


CAUTION - FALL HAZARD

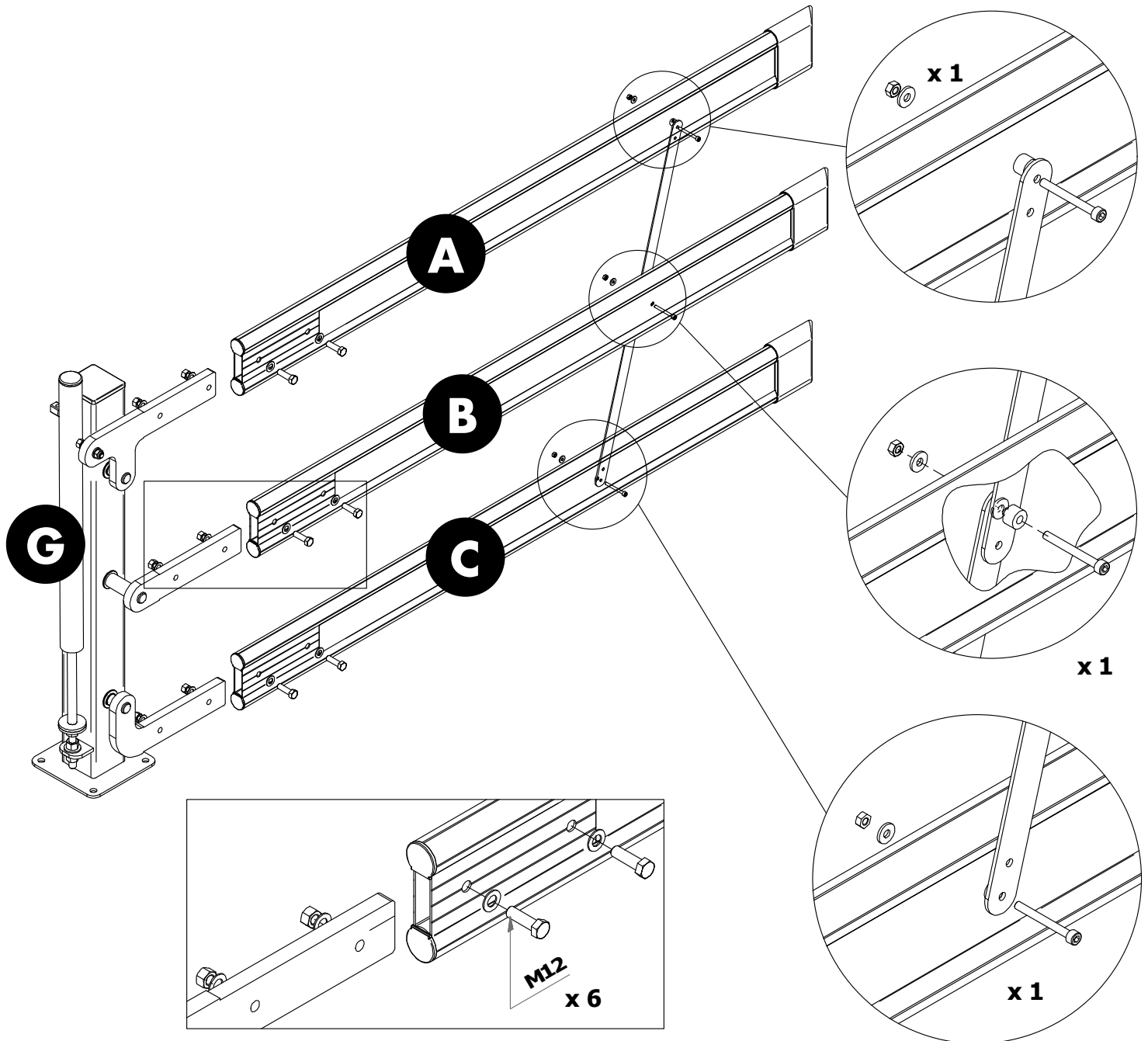


*Footprint layout as shown is for standard MZ1500-A.

Note:
Ensure to choose appropriate
fixing to suit flooring

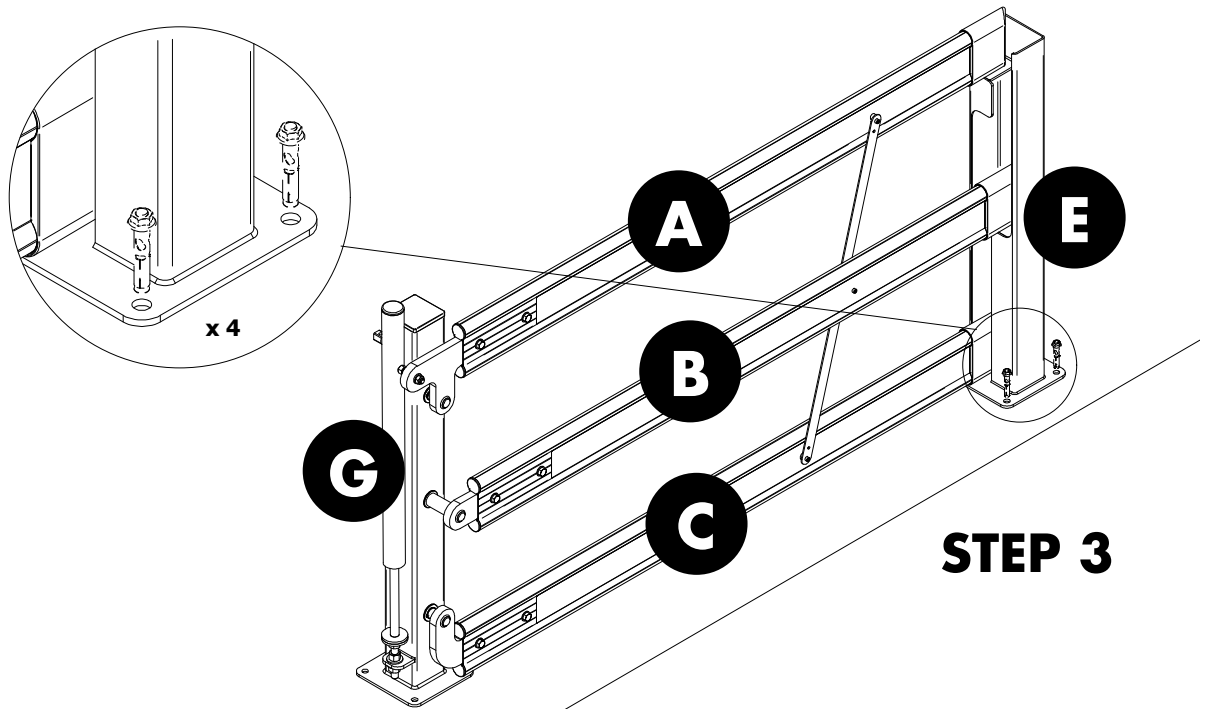


STEP 1

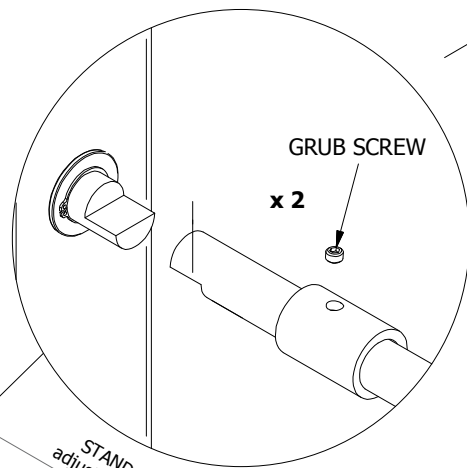


STEP 2

MEZZANINE GATE Installation Procedure

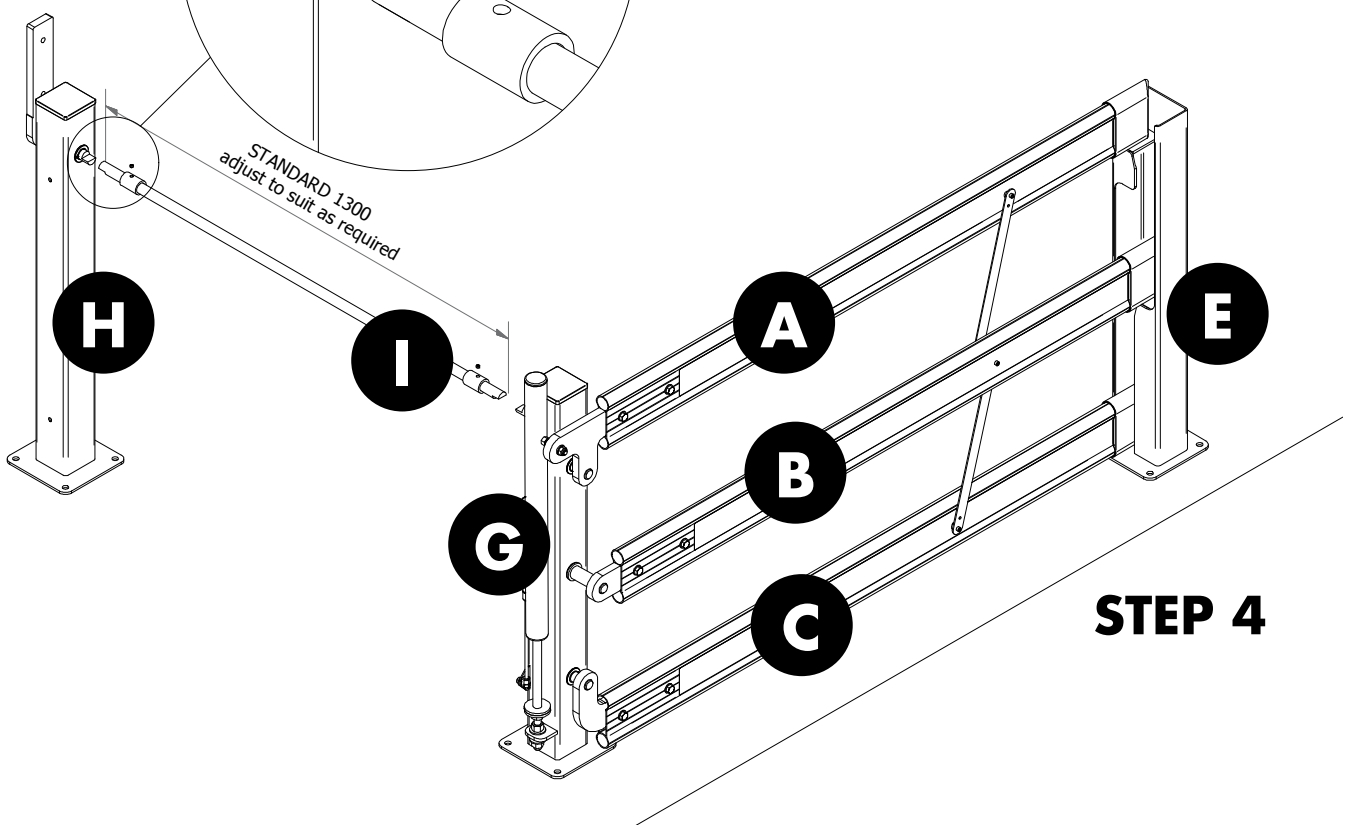


STEP 3

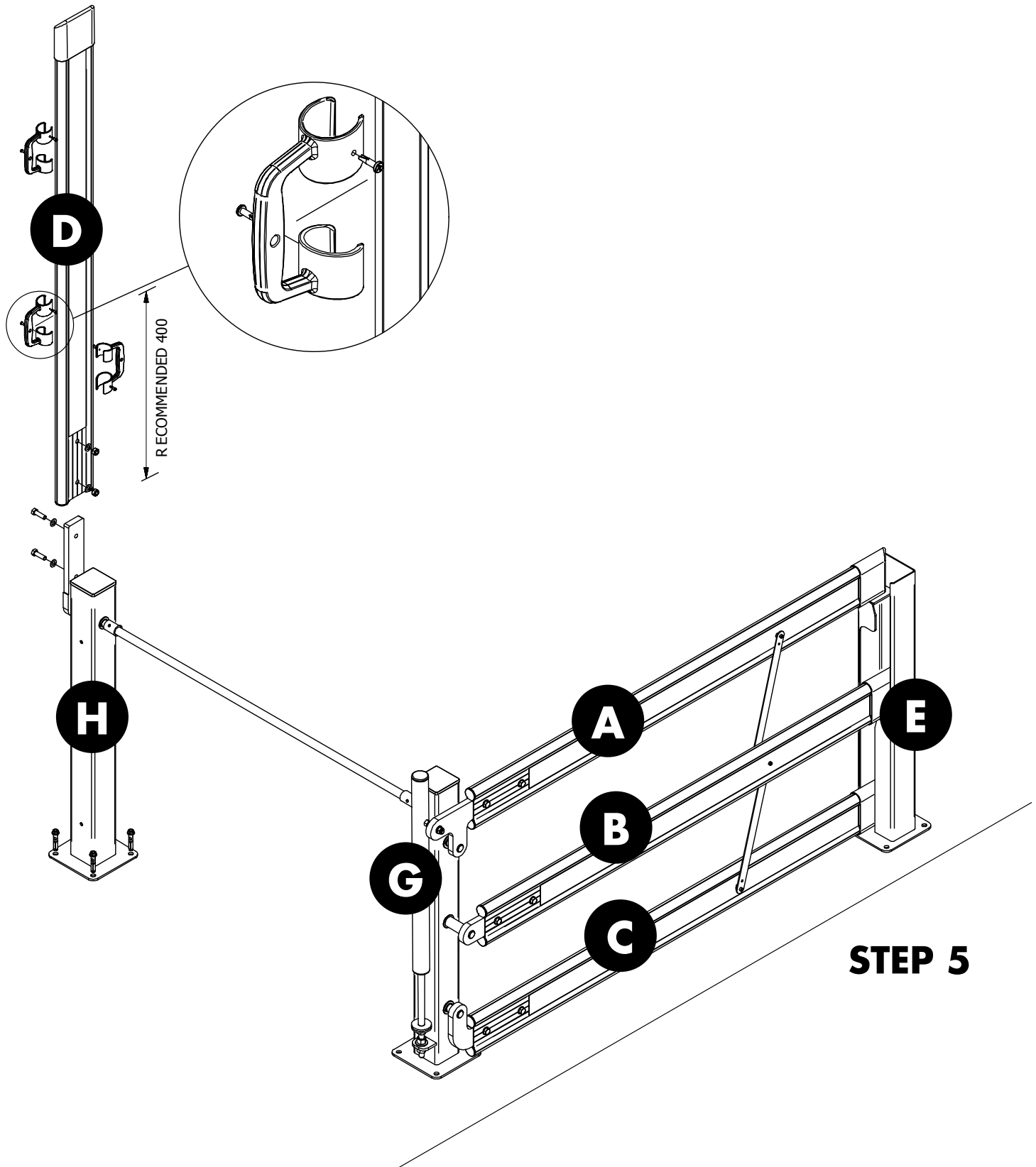


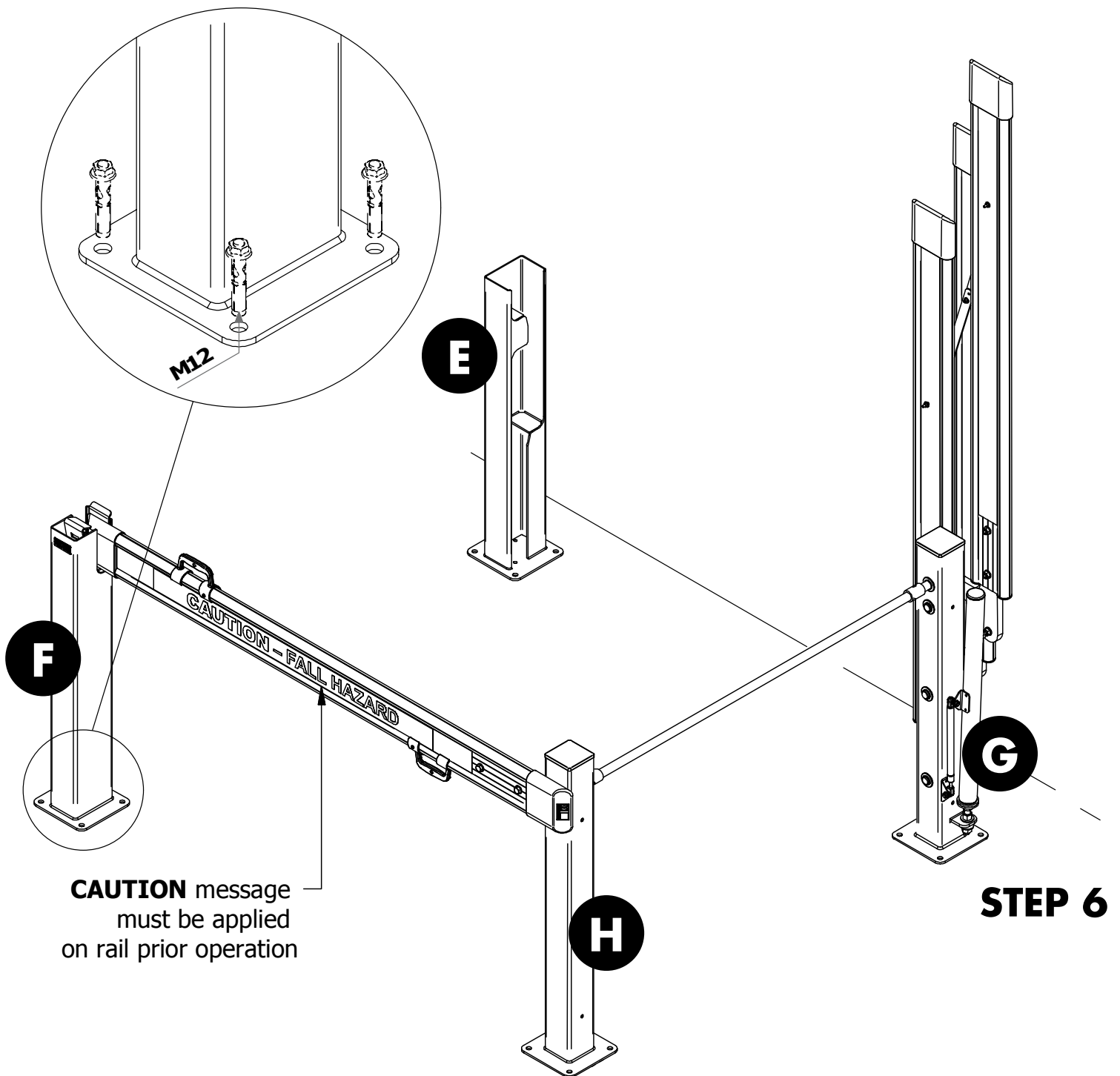
Note:

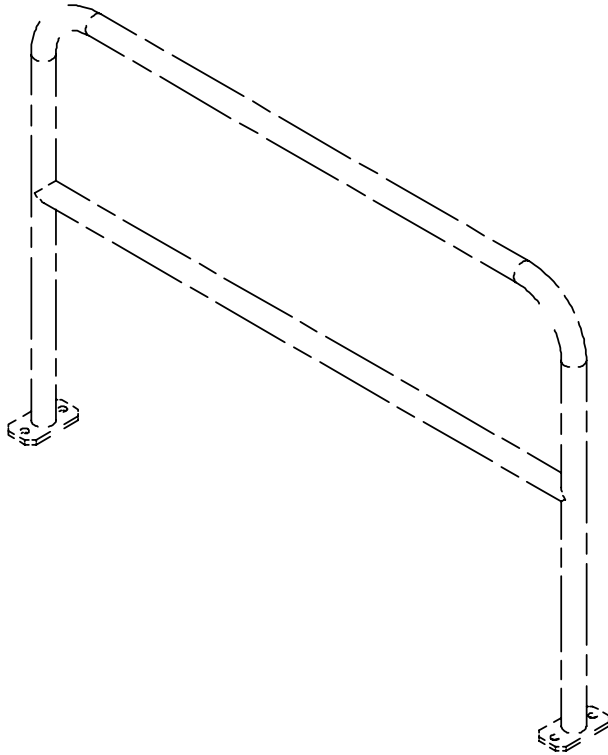
Match both ends together, slide slip cover over joints, then tighten up the grub screws.



STEP 4







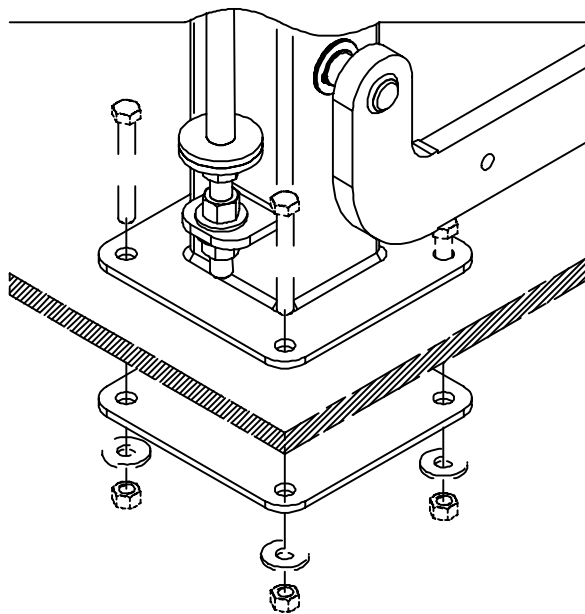
Optional U-Bars

When side in-fills are required, optional surface mount U-Bars are available in a range of standard size

UBD100SM-G,

UBD150SM-G,

UBD200SM-G



Optional Reinforcement Plate

When mounting posts on timber or unsupported floors, the optional reinforcement plate provides additional support to the post.



Important information.
Read carefully.
Keep this information for further reference.

WARNING

The gate will not provide optimum performance unless it is installed correctly. For satisfactory gate operation please follow the instructions carefully.

NOTE: No guarantee will be given or responsibility accepted by the manufacturers if the gate is not installed as instructed. Barrier Group **do not** warrant the work of 3rd party contractors.

BEFORE YOU START

1. The installer must ensure the desired mounting point for the gate is level, plumb and rigid.
2. Use fixings appropriate to the material into which they are being fixed (not included).
3. Check all parts are included. Contact Barrier Group immediately if you are missing a piece.

AFTER INSTALLATION CARE

Barrier Group recommends that you check the operation of your gate at least every six months (more regularly in extreme environments or frequent use). It is natural for spring assistance unit to lose tension over time. Adjustment may be required.