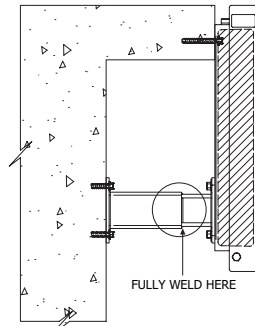


### Cantilevered Mounting Dock Bumper LDB730S

If the dock floor projects out over the building structure, the LDB730S includes a telescopic stand-off bracket that extends back to the building to provide lower support to the loading dock bumper.



#### INSTALLATION:

1. Measure the required standoff distance then adjust and weld (6) Cantilevered Mounting Bracket in position. Touch up the welded surface with cold – gal.
2. Assemble (6) Cantilevered Mounting Bracket to (1) Mounting Casing as per illustrated.
3. Set out the desired placement of the bumpers ensuring they are no more than 1.8 meters apart.
4. Using the assembled (1) Mounting Casing & (6) Cantilevered Mounting Bracket as a template, mark and drill 6 holes 12mm x minimum 100mm deep. (For KIT30).
5. Use the 6 concrete screws supplied in KIT30 (sold separately) or equivalent to secure (1) Mounting Casing in position.
6. Position the (2) Rubber Bumper into (1) Mounting Casing with the large holes facing the wall.  
Note: (2) Rubber Bumper is held in place by (1) Mounting Casing.
7. Hook the (3) Compression Casing over the top of (1) Mounting Casing and pull downwards. Insert (4) Coach Bolt as per illustrated and fasten with supplied fixings to secure the unit.



**Important information.**  
**Read carefully.**  
**Keep this information for further reference.**

#### WARNING

The bumper will not provide optimum performance unless it is installed correctly. For satisfactory bumper operation please follow the instructions carefully.  
**NOTE:** No guarantee will be given or responsibility accepted by the manufacturers if the bumper is not installed as instructed. Barrier Group **do not** warrant the work of 3rd party contractors.

#### BEFORE YOU START

1. The installer must ensure the desired mounting point for the bumper is level, plumb and rigid.
2. Use fixings appropriate to the material into which they are being fixed.
3. Check all parts are included. Contact Barrier Group immediately if you are missing a piece.

#### AFTER INSTALLATION CARE

Barrier Group recommends that you check the operation of your bumper at least every six months (more regularly in extreme environments or frequent use).



# LOADING DOCK BRACKET

## Installation Instructions



LDB730



LDB730R



LDB730S

### INSTALLATION INSTRUCTIONS FOR LDB730 INTO REINFORCED CONCRETE

Accessories: LDB730R & LDB730S

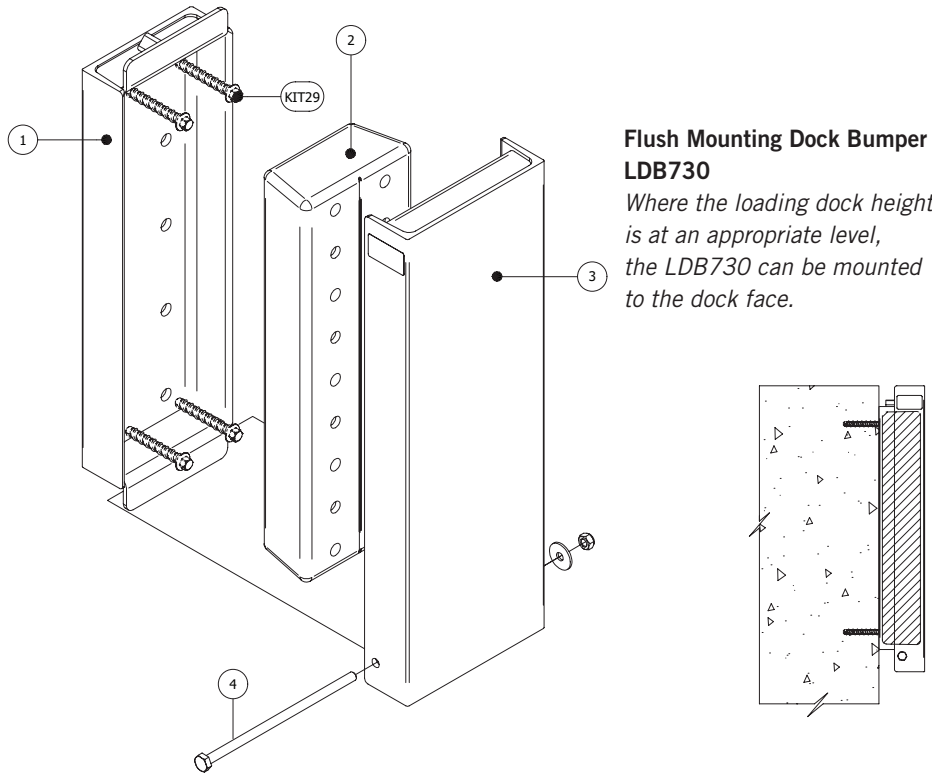
**NOTE:** The LDB730 weighs approximately 53kgs assembled, exercise care when handling.

No guarantee will be given or responsibility accepted by the manufacturers if the product is not installed as instructed.

Barrier Group does not warrant the work of 3rd party contractors.

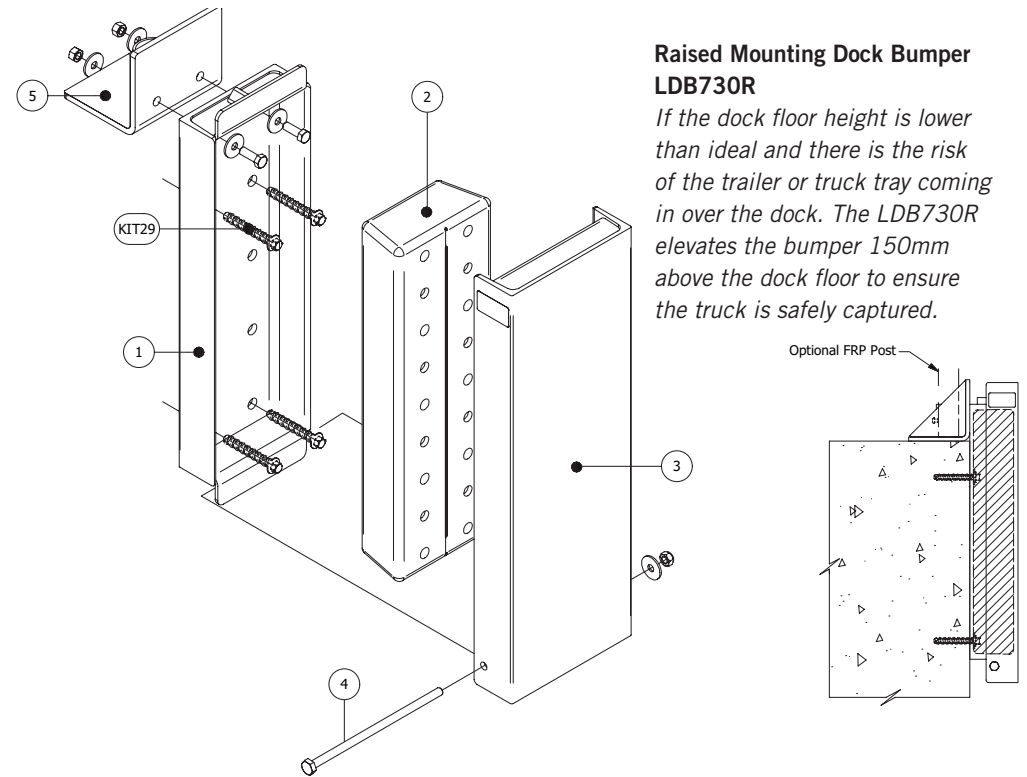
## BEFORE YOU START

1. Ensure that the surface where the unit is to be installed is flat and capable of supporting the bumper.
2. Disassemble LDB730 prior to installation. It will be installed as 3 parts:  
**(1) Mounting Casing, (2) Rubber Bumper** and **(3) Compression Casing.**
3. If installing into reinforced concrete, use optional concrete screws found in KIT29 or KIT30 (For LDBS300 only) – Both kits sold separately.
4. Check all components are included. Contact Barrier Group immediately if you are missing a piece.



## INSTALLATION:

1. Set out the desired placement of the bumpers ensuring they are no more than 1.8 meters apart.
2. Using the **(1) Mounting Casing** as a template, mark and drill 4 holes 12mm x minimum 100mm deep. (For KIT29).
3. Use the 4 concrete screws supplied in KIT29 (sold separately) or equivalent to secure **(1) Mounting Casing** in position.
4. Position the **(2) Rubber Bumper** into **(1) Mounting Casing** with the large holes facing the wall.  
*Note: (2) Rubber Bumper is held in place by (1) Mounting Casing.*
5. Hook the **(3) Compression Casing** over the top of **(1) Mounting Casing** and pull downwards.
6. Insert **(4) Coach Bolt** as per illustrated and fasten with supplied fixings to secure the unit.



## INSTALLATION:

1. Assemble **(5) Raised Mounting Bracket** to **(1) Mounting Casing** as per illustrated.
2. Set out the desired placement of the bumpers ensuring they are no more than 1.8 meters apart.
3. Using the **(1) Mounting Casing** as a template, mark and drill 4 holes 12mm x minimum 100mm deep. (For KIT29).
4. Use the 4 concrete screws supplied in KIT29 (sold separately) or equivalent to secure **(1) Mounting Casing** in position.
5. Position the **(2) Rubber Bumper** into **(1) Mounting Casing** with the large holes facing the wall.  
*Note: (2) Rubber Bumper is held in place by (1) Mounting Casing.*
6. Hook the **(3) Compression Casing** over the top of **(1) Mounting Casing** and pull downwards.
7. Insert **(4) Coach Bolt** as per illustrated and fasten with supplied fixings to secure the unit.